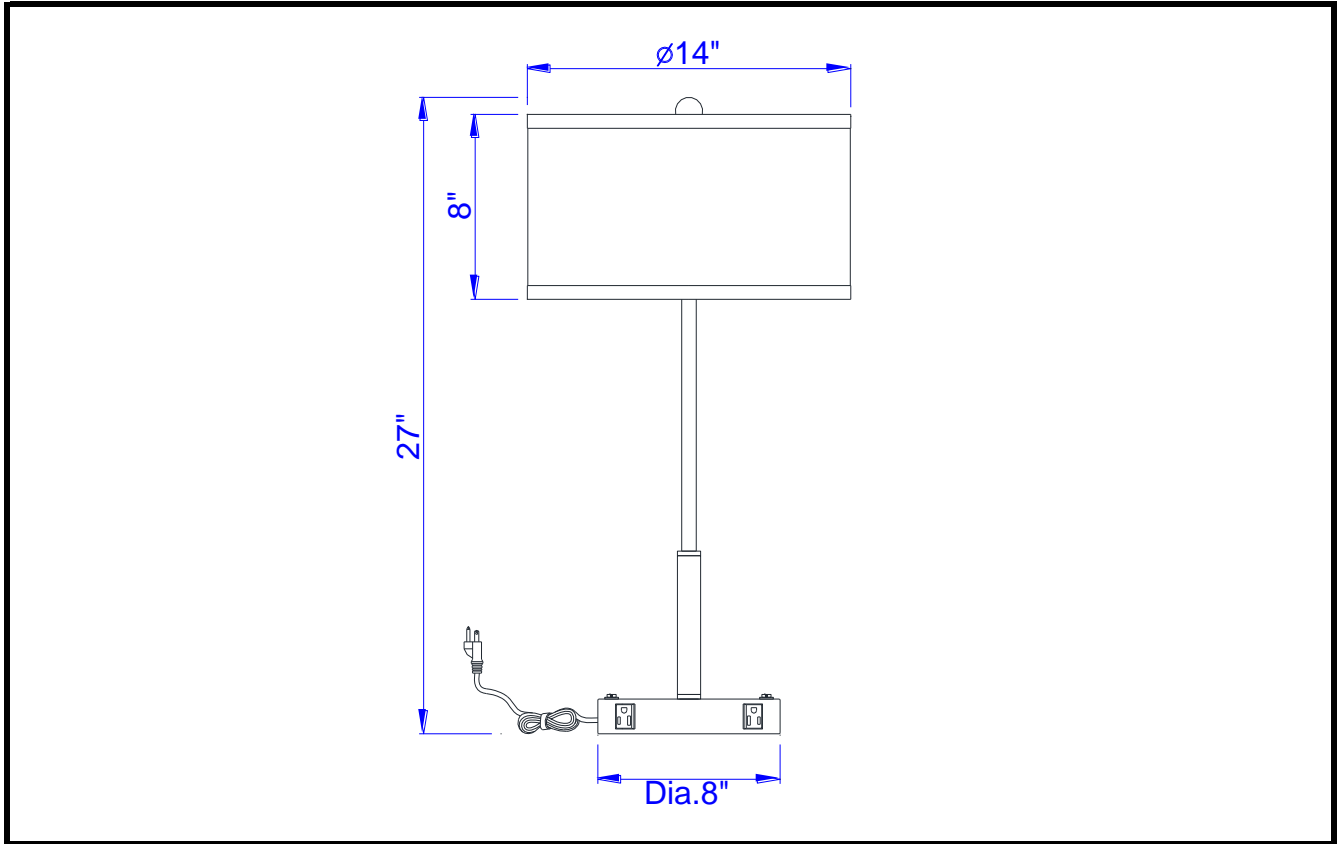




# CAL LIGHTING

3625 E. Philadelphia St. Ontario CA. 91761 • Tel: 909.947.5200 • Fax:  
909.947.5673 • www.calighting.com • service@calighting.com •  
Specifications subject to change without notice

Type: \_\_\_\_\_  
Project: \_\_\_\_\_  
Catalog No.: \_\_\_\_\_  
Lamp/Wattage: \_\_\_\_\_



**Model No:** LA-8019NS-2  
**Description:** Table/Desk Lamp  
**Material:** Metal  
**Finish :** BS (Brushed Steel)  
**Height:** 27"  
**Base Width:** Dia.8"  
**Wattage :** 60Wx2  
**Socket :** Medium Base (E27)  
**Switch:** Rocker Switch x2  
**Bulb:** Incandescent, CFL  
**Power Outlet:** 2  
**Wire Length:** 6'  
**Wire Color:** Silver  
**Shade No:**  
**Material:** Linen  
**Shade size:** 14"x14"x8"

**Certificate :**

