

GAMA SONIC[®]

SOLAR LIGHTING



Eagle finial



Acorn finial




Imperial Bulb Solar Post Light with Trapezoidal Solar Panels W/ 3" Fitter Mount

Part #: 37B50012

US patent # 7172307, 9458970, D629950

Version 1.1

 Please read the instruction manual carefully to obtain the best results from your purchase.

Thank you for your purchase! GAMA SONIC® solar charged lights are brighter and last all night with a typical solar charge. Unique design, superior light output and numerous installation options confirm the outstanding value of our product. GAMA SONIC® has been recognized as a worldwide leader in the lighting industry for over 20 years.

Technical Assistance/Warranty Claims/Replacement Parts
Toll Free Number: +1-800-835-4113 (only within the US) or www.gamasonic.com

Visit our website or download the latest version of your instruction manual:
www.gamasonic.com or www.gamasonic.com/user-guides

Gama Sonic's Bulb Technology

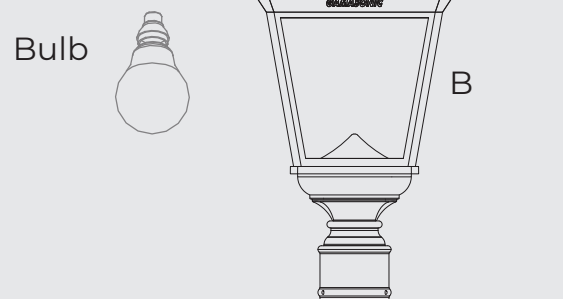
Gama Sonic's patented Bulb technology gives your solar lamp the look and feel of a traditional incandescent lamp. This helps to distribute light further than traditional solar lamps.

Solar Lamp Location

For optimum light duration throughout the night, it is very important to mount your solar lamp in a spot where it will receive the maximum amount of direct sunlight throughout the day.

What's in the Box

- A = Top
- B = Fixture
- C = Acorn Finial
- D = Eagle Finial
- E = Finial Cap



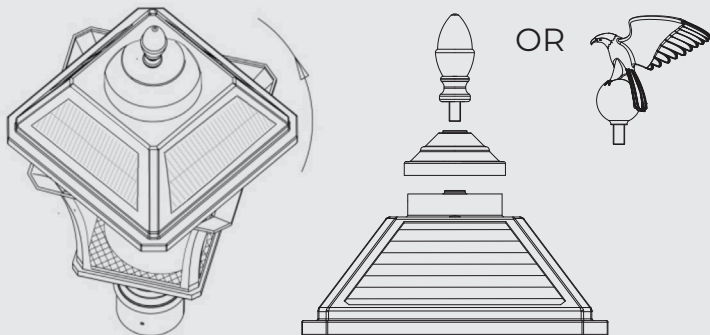
For best results, the solar light must be charged in the "ON" position (High or Low) for at least 2 days of full direct sunlight.

Assembly Instructions

NOTE: If you are replacing an existing gas/ electric post light, you must consult a certified technician to disconnect them before installation.

- Remove the top (A) from the fixture (B) by twisting counterclockwise.
- Install the LED bulb and turn the lamp on.
- Reassemble the lamp by twisting the top (A) clockwise.
- Place the finial cap (E) on the top of the lamp.
- Choose the finial of your choice (C or D) and screw it into the top (A) through the finial cap (E) and twist it clockwise.
- Install the lamp on your existing 3" post and secure by tightening the set screws.

NOTE: Do not over-tighten the set screws.



3" pole

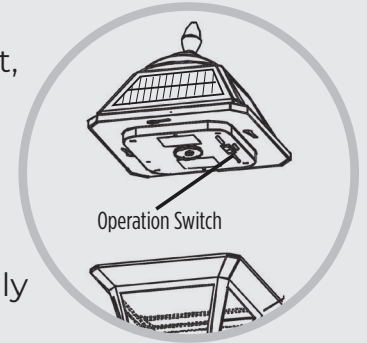


Operation Instructions

1. Remove the top (A) from the fixture (B).
2. Screw in the GS Solar LED bulb into the fixture.
3. Move the operation switch to the High or Low position according to your preferences:

- **Low** = softer light, longer duration
- **High** = brighter light output

Your lamp will operate automatically at dusk.



Replacement Parts

Replacement Batteries and Bulbs are available at www.gamasonic.com or via our Toll-Free number: +1-800-835-4113.

Your lamp can use the following bulbs:

A60WW20W – included bulb with Warm White LEDs (2700K)

A60BW20W – bulb with Bright White LEDs (6000K)

F30WW05W – Flame bulb with simulated flame LEDs

T45WW10W – Edison LED Bulb with Warm White LEDs (2700k)

Your Lamp uses two of the following battery:

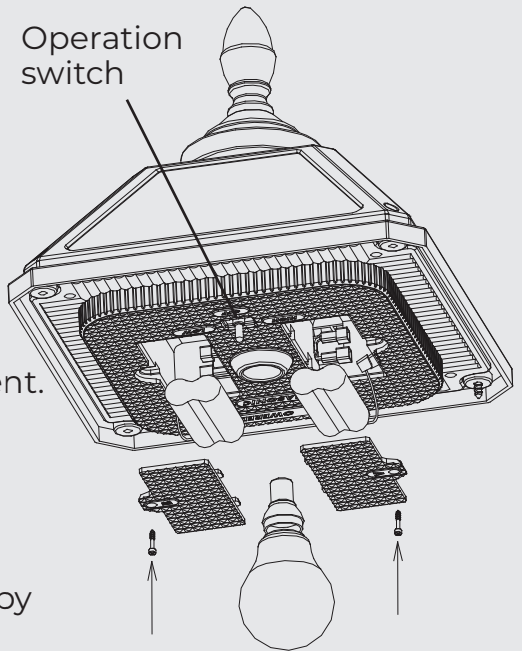
GS32V30



Replacing the Batteries

GAMA SONIC®
SOLAR LIGHTING

1. Remove the top (A) from the fixture (B) by twisting counterclockwise.
2. Switch the lamp off and remove the bulb.
3. Remove the battery compartment screw and cover.
4. Remove the battery and unclip the connector.
5. Make sure the new battery is a 3.2V/3000mAh Li-Ion battery with matching connector (Item # GS32V30)
6. Clip the battery in and install the battery in the compartment.
7. Replace the battery cover and screw.
8. Repeat steps 3-7 for the second battery.
9. Re-install the bulb and switch the lamp back on.
10. Place the top (A) back on top of the fixture (B) and secure by twisting clockwise.



Replacement Batteries and Bulbs are available at
www.gamasonic.com

Maintenance

Clean the solar panels regularly with a damp towel to guarantee optimum performance. Do not use any type of solvent for cleaning and be careful not to put too much pressure on the solar panels while cleaning.

Troubleshooting

If your solar light does not come on as expected despite observance of all the instructions, please try the following steps:

1. Make sure that the solar lamp is not being affected by any other light source.
2. Ensure the solar lamp is not positioned in the shade during the day.
3. Check that the batteries are installed correctly.

NOTE: The performance of the solar lamp will vary with the time of year. It will last longer when it has had a full day in the sun rather than a day in overcast weather.



WINTERTIME TIPS: For optimal performance, be sure to remove any snow or debris accumulation from solar panel(s). A solar panel free of debris will charge the batteries much more efficiently.

WARNING: Please keep out of reach of children. Do not dispose of the Li-Ion battery in the regular trash, municipal waste stream or by fire as batteries may leak or explode. Do not open, short circuit, or mutilate batteries as injury may occur. Preserve our environment by recycling Li-Ion batteries or disposing of them in accordance with local, State and federal regulations. Do not mix old and new batteries.

