

ASSEMBLY INSTRUCTIONS

Palati Extra Large Linear Chandelier

Item # IKF 5446

NOTICE:

This light fixture should be installed in accordance with all applicable, local installation codes, and by a person familiar with the construction and operation of it, as well as the hazards involved. Inspect item and contents carefully. If any damage or defect is found, do not install. Retain all packaging material until installation is complete and approved.

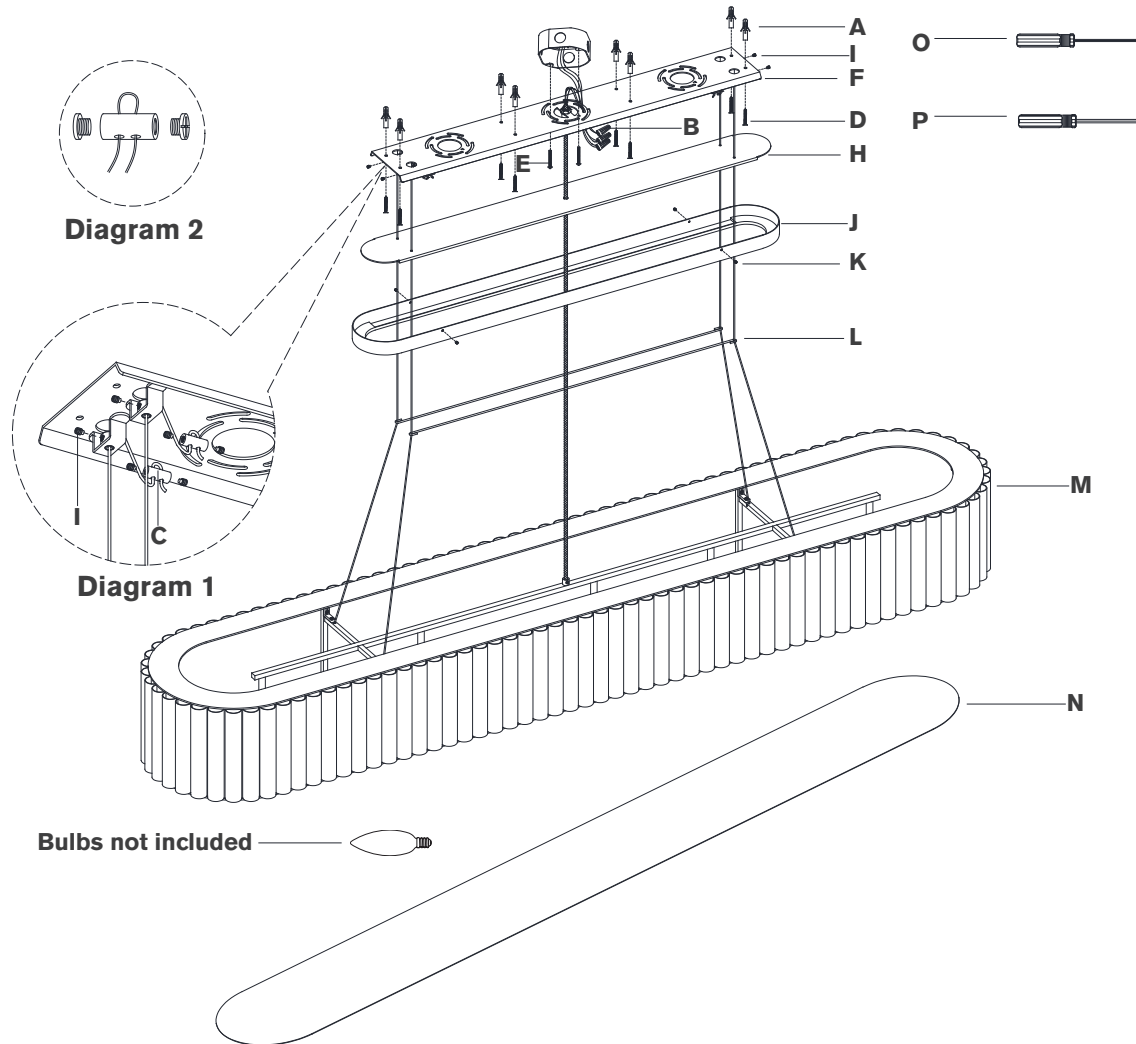
TOOLS REQUIRED (NOT INCLUDED):

Phillips Screwdriver	Slotted Screwdriver	Wire Cutters
Wire Strippers	Pencil	Hammer
Drill		

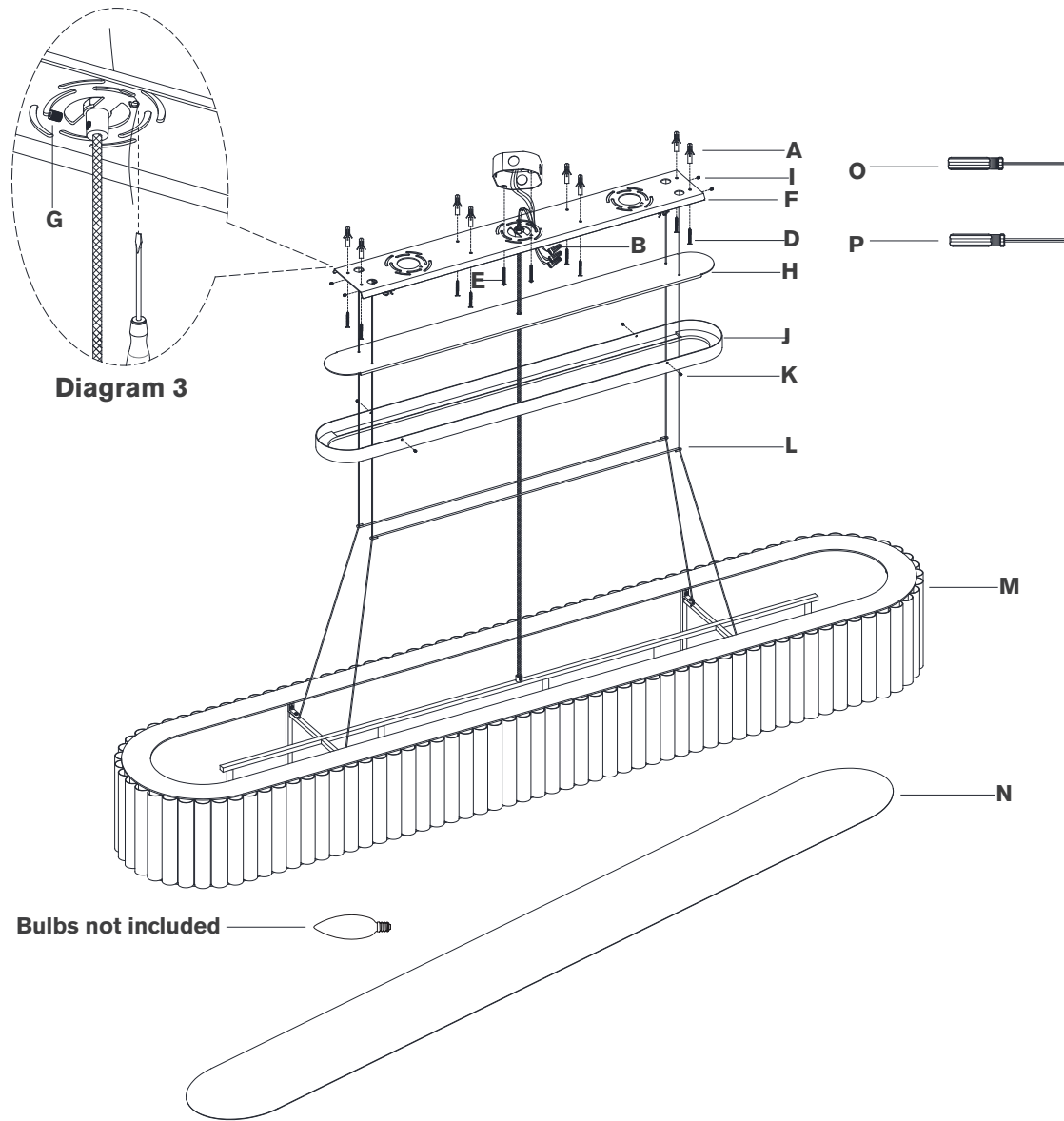
- Carefully remove all parts from the box. Place on a clean, soft surface.
- Remove mounting plate **(F)** and metal plate **(H)** from canopy **(J)** by removing canopy screws **(K)** using provided screwdriver **(O)**.
- Using mounting plate **(F)** as a guide, line up with the junction box and mark anchor positions.
- Using a drill bit slightly smaller than the anchor, drill holes in the marked positions. Install anchors **(A)** into the holes using hammer.
- Install mounting plate **(F)** to junction box and secure with mounting screws **(E)**, then secure wood screws **(D)** to anchors **(A)**.
- Loosen set screws **(I)** on mounting plate **(F)** using provided screwdriver **(P)**. See diagram 1.
- Route four hanging cables through holes on bracket of mounting plate **(F)**. Loosen cable lock and install to end of hanging cables. Insert other end of cables through the cable lock and adjust to desired length. Once complete re-secure screws and set screws **(I)** using provided screwdriver **(P)**. Repeat steps with the remaining wires. See diagram 1 & 2.

NOTE: Once desired height is achieved cut hanging wires using a pair of cutters. Ensure sure fixture height and level are accurate before cutting wires.

- Using canopy holders **(L)** to hold hanging cables as shown on diagram, then slip canopy **(J)** and metal plate **(H)** down and rest on canopy holders **(L)**.



ASSEMBLY INSTRUCTIONS



Palati Extra Large Linear Chandelier

Item # IKF 5446

NOTICE:

This light fixture should be installed in accordance with all applicable, local installation codes, and by a person familiar with the construction and operation of it, as well as the hazards involved. Inspect item and contents carefully. If any damage or defect is found, do not install. Retain all packaging material until installation is complete and approved.

9. Loosen set screw **(G)** and feed fixture wire through canopy **(J)**, metal plate **(H)** and mounting plate **(F)** and adjust wire to desired length then tighten set screw **(G)**. See diagram 3.

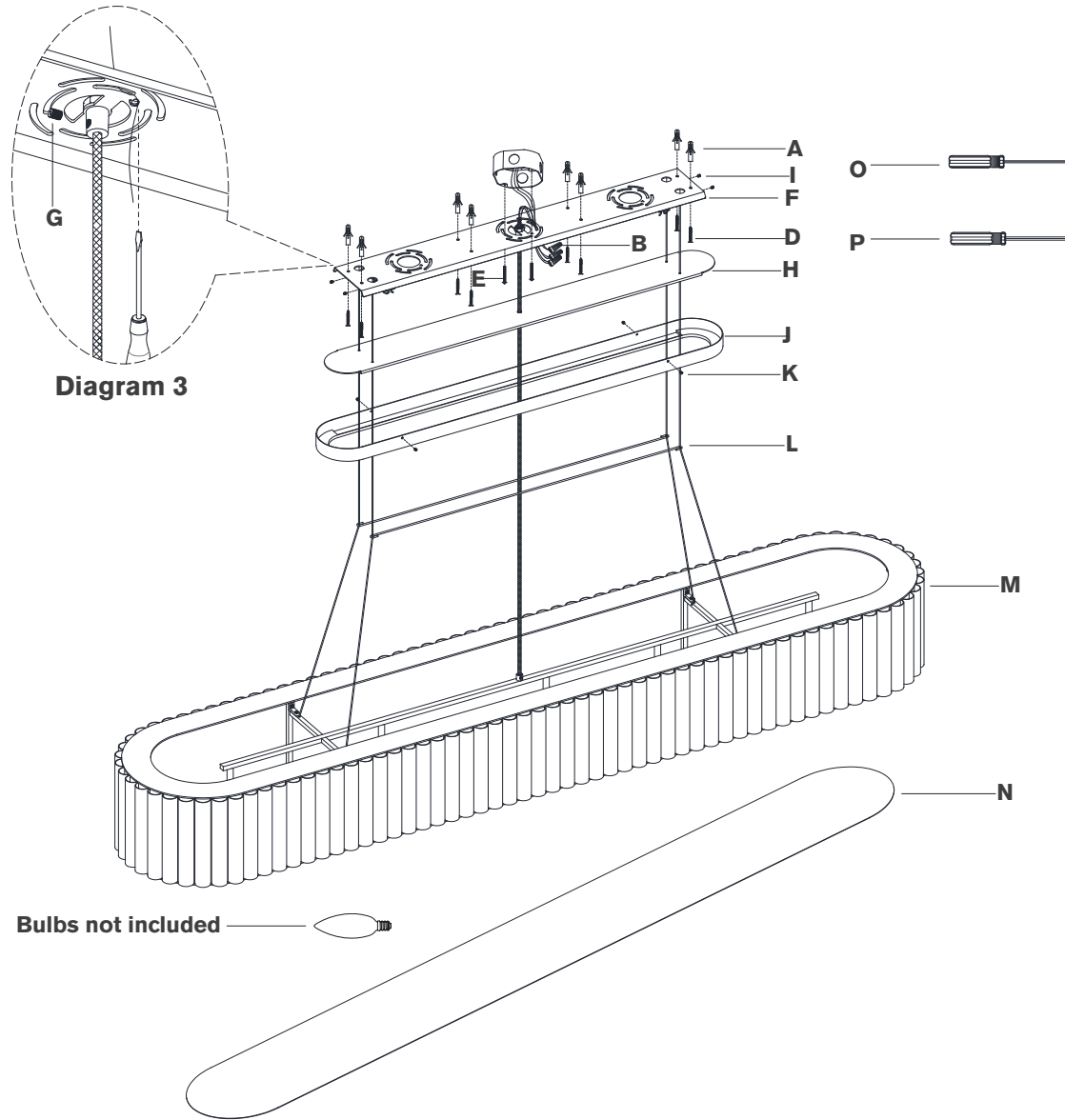
NOTE: Make sure there is no tension on the electrical wire when fixture is fully extended.
10. After fixture height is achieved shorten the wires by using a pair of cutters (not included), leaving enough length to reach mounting plate **(F)**.

NOTE: Final leveling in later step will only allow for small adjustments. Make sure fixture height and fixture level are accurate before cutting wires.
11. Remove outer housing of wire by making a neat cut all the way around, about 1" from the end. Once cut is made, remove and discard the 1" piece of housing, exposing the electrical wires.

NOTE: Make sure not to cut too deep into housing or electrical wires could become damaged.
12. Wrap fixture ground wire (bare copper) around the green grounding screw (see diagram 3). Tighten. Continue fixture ground wire and connect to supply ground wire (usually green or bare copper) using wire nut **(B)**.

NOTE: It is imperative that the fixture is grounded.
13. Connect fixture neutral wire (white) to the supply neutral wire (usually white) using wire nut **(B)**.

ASSEMBLY INSTRUCTIONS



Palati Extra Large Linear Chandelier

Item # IKF 5446

NOTICE:

This light fixture should be installed in accordance with all applicable, local installation codes, and by a person familiar with the construction and operation of it, as well as the hazards involved. Inspect item and contents carefully. If any damage or defect is found, do not install. Retain all packaging material until installation is complete and approved.

14. Connect fixture hot wire (black) to the supply hot wire (usually black) using wire nut **(B)**.
CAUTION: Do not reverse the hot and neutral connections.
15. Make sure all wire connections are tight, then carefully tuck into the junction box.
16. Install metal plate **(H)** and canopy **(J)** to mounting plate **(F)** and secure with canopy screws **(K)** using provided screwdriver **(O)**, then remove canopy holders **(L)**.
17. Place diffuser **(N)** into shade from the bottom.
18. Insert bulbs into the sockets.

Care Instructions: Clean only with a soft dry cloth or feather duster. Do not use abrasive or chemical agents.