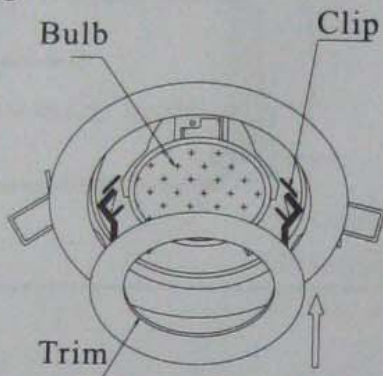


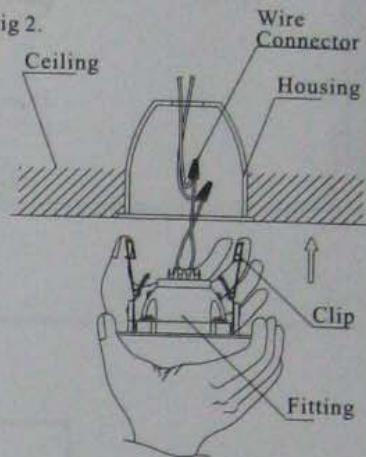
INSTALLATION INSTRUCTION OF TRIM

Fig 1.



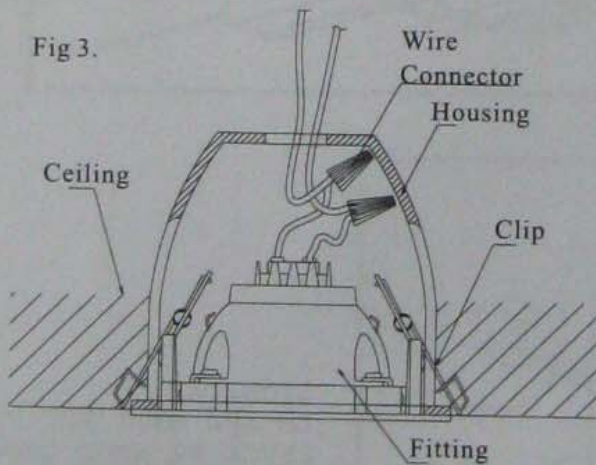
1. Install the bulb.
2. Slide the clip into the slot of fitting and push the trim so that the trim can lock into the fitting.

Fig 2.



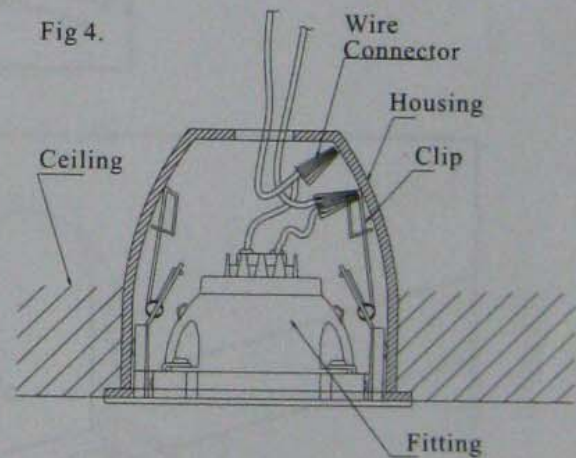
1. Connect the wires by wire connector.
2. Raise the clip upward.
3. Slide the clip into the housing and push the fitting upward.

Fig 3.



For housing with slot.

Fig 4.



For housing without slot.

SAVE THESE INSTRUCTIONS