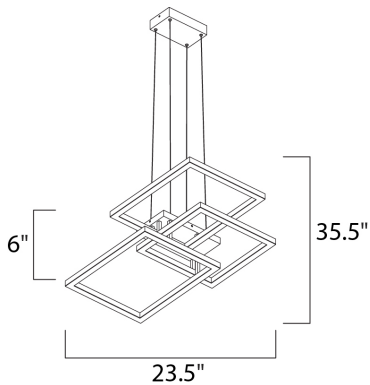


PRODUCT DESCRIPTION

Multiple squares finished in Champagne, are layered in a geometric pattern to form an interesting lighting sculpture. Enclosed behind the white acrylic lens is high power LED for even and economical illumination.



MEASUREMENTS

- DIMENSION : 35.5" L x 23.5" W x 6" H
- MAX OAH : 127.75" OAH
- CANOPY : 4.75" W x 1.75" H x 11.25" L
- HANGING WEIGHT : 11.9 lb

LAMPING

- INPUT VOLTAGE : 120V
- LUMENS : 6,020 Rated (5,860 Del.)
- BULB : 12 x 86W LED PCB Integrated , 86W Total
- BULB INCLUDED : (Integrated)
- DIMMABLE : Triac CL or ELV
- CRI : 80+ CRI
- COLOR_TEMP : 3000K

FINISHES OPTION

- Black
- Champagne

MATERIAL

Steel, Aluminum

RATINGS

cETLus
Dry Location



ADDITIONAL

ADJUSTABLE
OPERATING TEMPERATURE:
-20°C (-4°F), 40°C (104°F)

Always consult a qualified electrician before installing any lighting product.



WESTERN DISTRIBUTION CENTER (HEADQUARTER)
253 NORTH VINELAND AVE | CITY OF INDUSTRY, CA 91746
EASTERN DISTRIBUTION CENTER
4200 SHIRLEY DR. | ATLANTA, GA 30336
P. 626.956.4200 | F. 626.956.4225 | et2online.com