

TEAR SHEET

Lloyd Small Jeweled Sconce

Item # KS 2015SB-ALB

Designer: kate spade new york

Height: 10"

Width: 6"

Extension: 3.5"

Backplate: 4" Square

Finishes: PN, SB

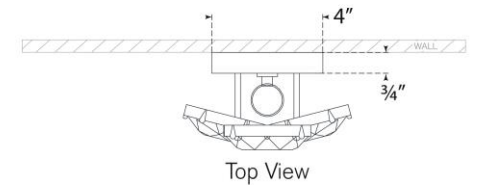
Shade Treatments: CG, ALB

Socket: E12 Candelabra

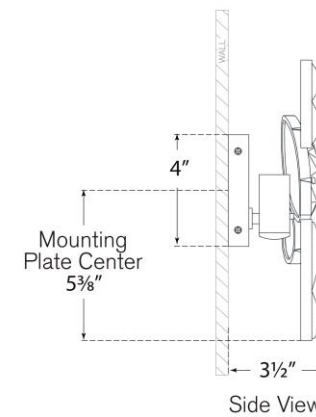
Wattage: 40 B11

Weight: 3 Pounds

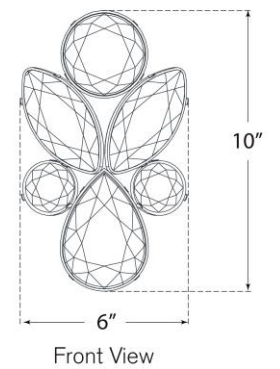
Note: UL Only



Top View



Side View



Front View