

ASSEMBLY INSTRUCTIONS

ITEM NO:BO-2853TB

CAREFULLY UNPACK AND PLACE ALL PARTS ON A SMOOTH SURFACE.

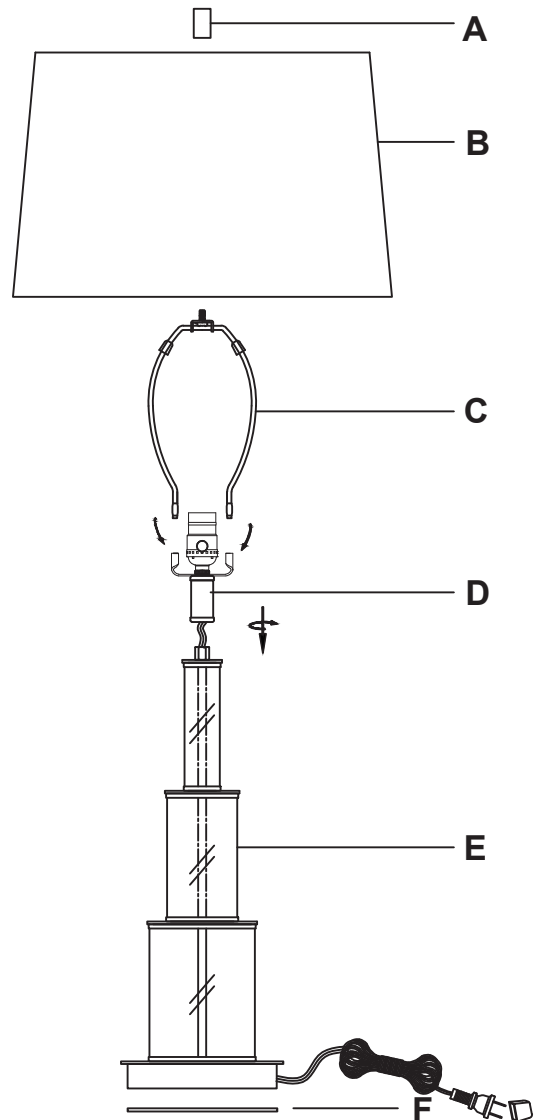
1.SCREW SOCKET ASSEMBLY (D) CLOCKWISE INTO LAMP BODY (E) TO TIGHTEN. THEN THE COVER OF THE NON-WOVEN PAD (F) AND STICK IT TO THE BOTTOM OF THE BASE.

2.INSERT HARP (C) TO THE SADDLE (D) .

3.PLACE SHADE (B) ONTO HARP (C) BY FINIAL (A) CLOCKWISE TO TIGHTEN.

4.INSTALL BULB (NOT INCLUDED) INTO THE SOCKET.

5.INSERT THE POWER PLUG INTO AND OUTLET AND ENJOY !!



Use MAX 3-way 150 Wattage type A bulb (bulb not included)

IMPORTANT SAFETY INSTRUCTIONS:

SAVE THESE INSTRUCTIONS FOR FUTURE REFERENCE.

THIS PORTABLE LAMP HAS A POLARIZED PLUG (ONE BLADE IS WIDER THAN THE OTHER) AS A FEATURE TO REDUCE THE RISK OF ELECTRIC SHOCK. THIS PLUG WILL FIT IN A POLARIZED OUTLET ONLY ONE WAY. IF IT DOES NOT FIT FULLY IN THE OUTLET, REVERSE THE PLUG. IF IT STILL DOES NOT FIT, CONTACT A QUALIFIED ELECTRICIAN. NEVER USE WITH AN EXTENSION CORD UNLESS THE PLUG CAN BE FULLY INSERTED. DO NOT ALTER THE PLUG.