



CAL LIGHTING

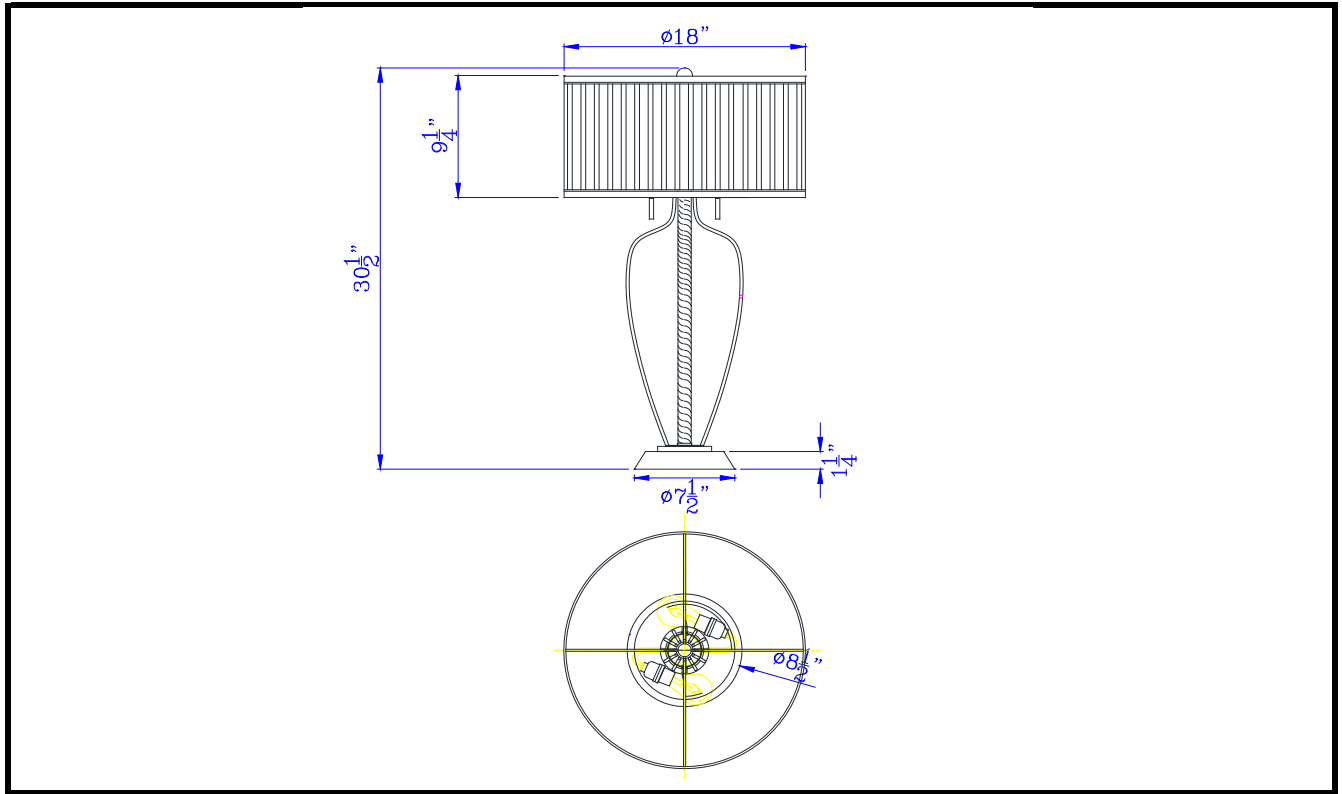
3625 E. Philadelphia St. Ontario CA. 91761 • Tel: 909.947.5200 • Fax:
909.947.5673 • www.calighting.com • service@calighting.com •
Specifications subject to change without notice

Type: _____

Project: _____

Catalog No.: _____

Lamp/Wattage: _____



- Model No:** BO-2859TB
- Description:** LaVal 60W x 2 metal table lamp with pleated softback fabric shade and pull chain switch
- Material:** Metal
- Finish :** Antique Brass/Black
- Height:** 30 1/2"
- Reach/Depth:** 18"
- Base Width:** Dia.7 1/2"
- Wattage :** 60WX2
- Socket :** Medium Base (E26)
- Switch:** On/off
- Bulb:** Incandescent, CFL
- USB:**
- Outlet:**
- Wire Length:** 6'
- Wire Color:** Black
- Shade No:**
- Material:** Fabric
- Shade size:** 18"x18"x9 1/4"

Certificate : 