

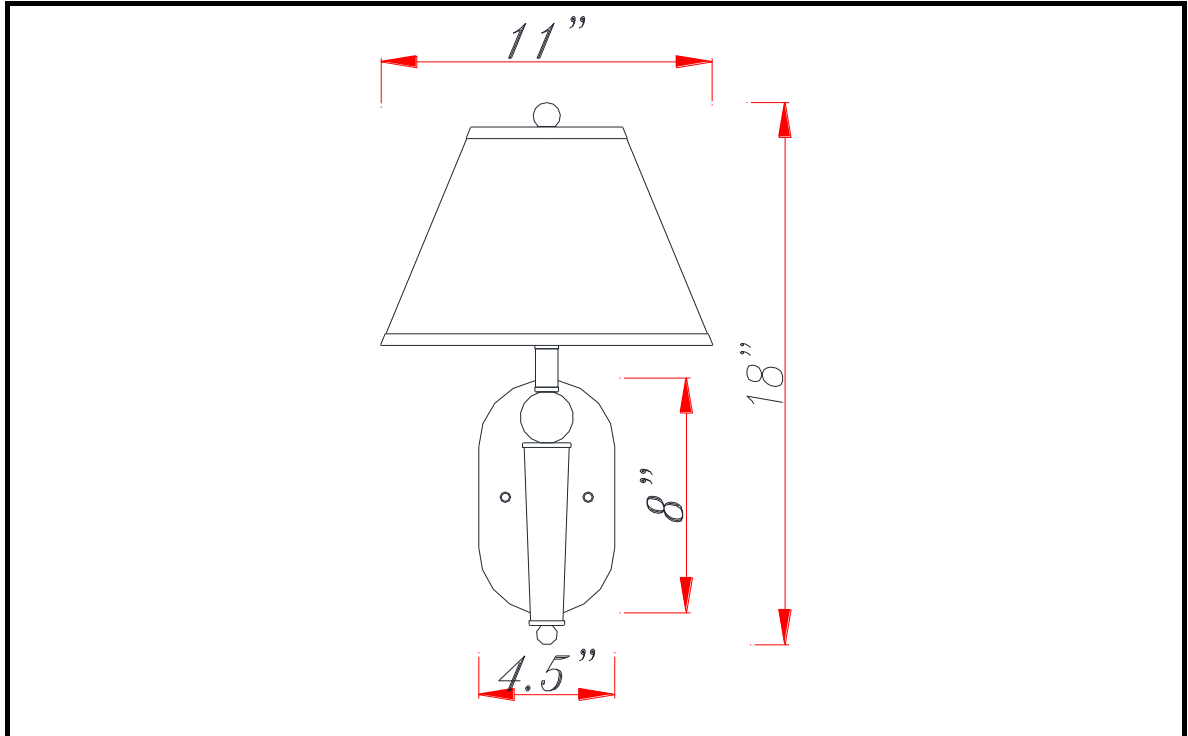


# CAL LIGHTING

3625 E. Philadelphia St. Ontario CA. 91761 • Tel: 909.947.5200 • Fax:  
909.947.5673 • www.calighting.com • service@calighting.com • Specifications  
subject to change without notice

Type: \_\_\_\_\_  
Project: \_\_\_\_\_  
Catalog No.: \_\_\_\_\_  
Lamp/Wattage: \_\_\_\_\_

Drawing:



**Model No:** LA-8005WL-1BS  
**Description:** 60W Metal wall lamp with rocker switch  
**Material:** Metal+Fabric  
**Finish :** Brushed Steel/Wood  
**Height:** 18"  
**Base Width:** 8"X 4 1/2"  
**Harp Size:** 6.5"  
**Wattage :** 60W  
**Socket :** Medium Base (E26)  
**Switch:** Rocker Switch  
**Bulb:** Incandescent,CFL  
**Power Outlet:** None  
**Cord:** SPT-2  
**Cord Length:** None  
**Cord Color:** Black  
**Shade No:** SH-1174  
**Material:** Fabric  
**Shade size:** 5"X11"X8"

**Certificate :**

