

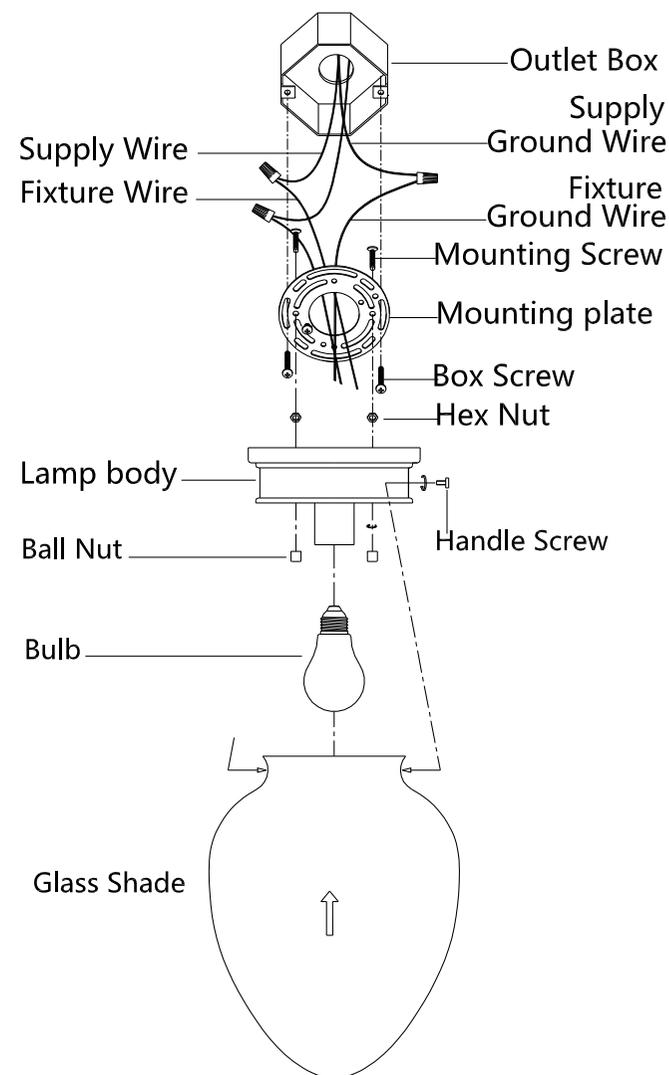
# ASSEMBLY AND INSTALLATION INSTRUCTIONS

**WARNING:** TO AVOID RISK OF ELECTRICAL SHOCK, BE SURE TO SHUT OFF POWER WHILE INSTALLING OR SERVICING THIS FIXTURE.

**NOTE:** Before installing, consult local electrical codes for wiring and grounding requirements.

## Installation Steps:

1. Shut off the power at the circuit breaker box. Remove old fixture and all hardware from Outlet Box.
2. Carefully unpack your new fixture and lay out all the parts on a clear area. Take care not to lose any small parts necessary for installation.
3. Thread the two mounting screws into the pre-drilled holes in the mounting plate spaced the same distance apart as the holes in the lamp body's canopy. Attach the mounting plate to the outlet box with the two box screws as shown. The side of the mounting plate marked "GND" must face to out. **The junction box is not included.**
4. Take this lamp body to ceiling outlet box, connect the electrical wires.
5. **NOTE: make wires connections:**
  - \*\*Attach fixture ground wire to supply ground wire using a wire nut or attach them to them mounting plate with a green ground screw.
  - \*\*Attach fixture white wire from lamp body to supply white wire or ridge wire from power source with a wire nut.
  - \*\*Attach fixture black wire from lamp body to supply black wire or smooth wire from power source with a wire nut.
  - \*\*Observing: positive wire with positive wire, negative wire with negative wire, ground wire with ground wire.
6. Make sure all wire connectors are secured and do not easily pull off with the slight tug. After wires are connected, tuck them carefully inside the Outlet Box. Raise the lamp body on to the outlet box, aligning screws on mounting plate with mounting holes in lamp body and lock it securely with the ball nuts.
7. Install the light bulb (Not included) in accordance with the fixture's specifications. **NOTE: DO NOT EXCEED THE MAXIMUM WATTAGE RATING!**
8. Attach the glass shade into the ceiling lamp body, lock it securely with the handle screws.
9. Your installation is now complete. Return power to the outlet box and test the lamp body.



1945F9-XX  
1945F12-XX