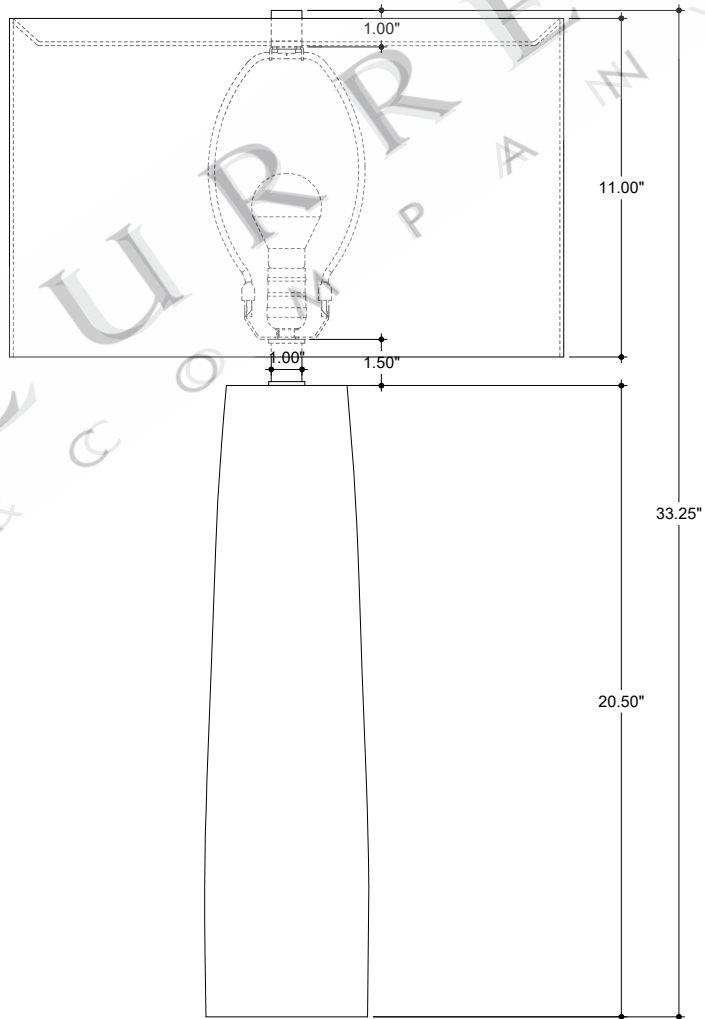


Ø18.00" DIA. TOP AND BOTTOM SHADE OPENING

Ø1.00" DIA. CYLINDER FINIAL

Ø5.25" DIA. BODY

TOP VIEW



FRONT VIEW

CURREY & COMPANY

6000-0800

ALL WORK © 2022 CURREY & COMPANY