



CAL LIGHTING

3625 E. Philadelphia St. Ontario CA. 91761 • Tel: 909.947.5200 • Fax:
909.947.5673 • www.calighting.com • service@calighting.com •
Specifications subject to change without notice

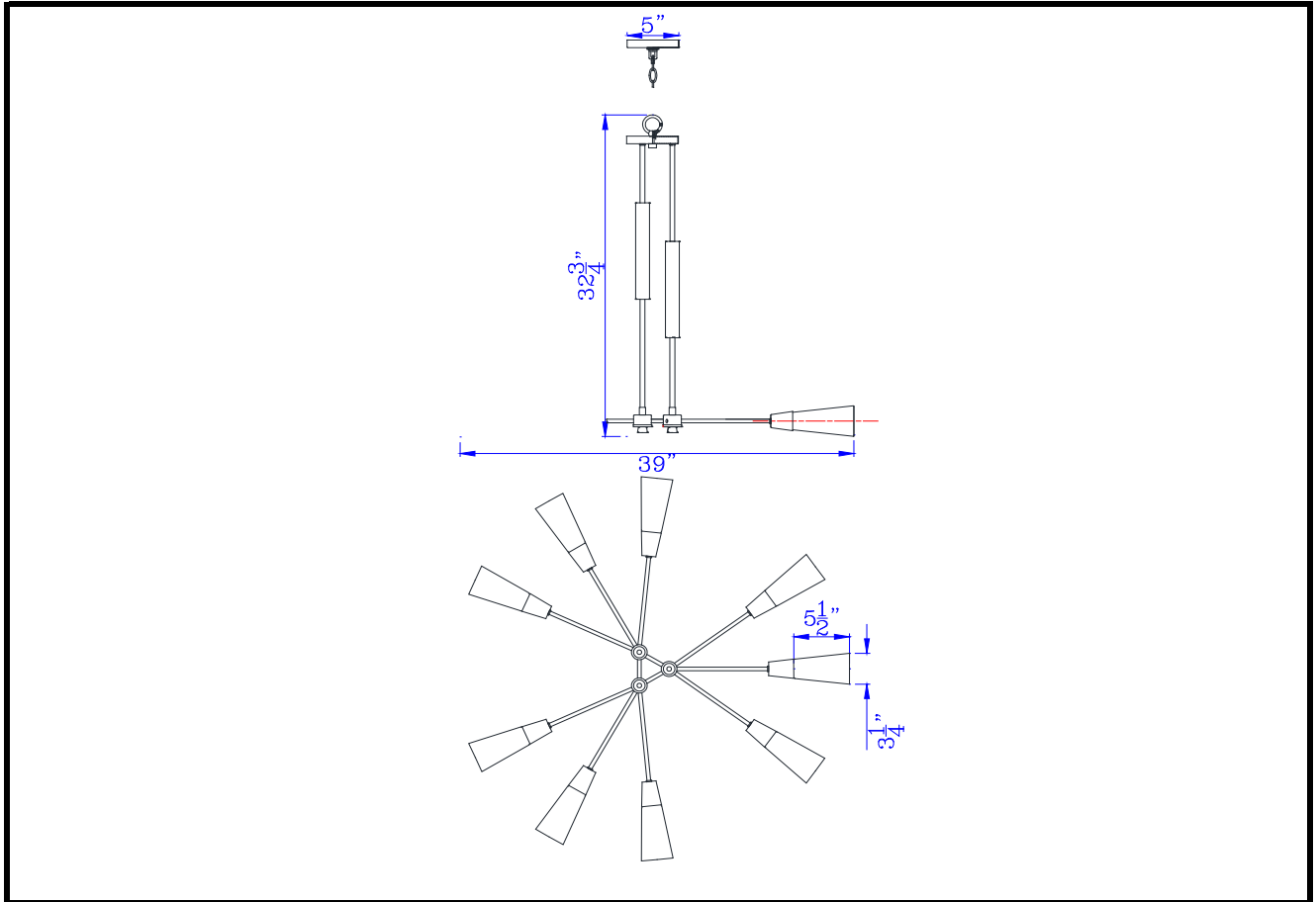
Type: _____

Project: _____

Catalog No.: _____

Lamp/Wattage: _____

Drawing:



- Model No:** FX-3693-9
- Description:** 60W x 9 Vasto wood/metal chandelier with glass shade (Edison bulbs NOT included)
- Material:** Metal/Wood
- Finish :** Wood/Iron
- Height:** 32 3/4"
- Width:** 39"
- Reach:** 39"
- Wattage :** 60Wx9
- Socket :** Candelabra Base (E12)
- Bulb:** Incandescent or CFL
- Chain Length:** 6'
- Wire Length:** 10"
- Wire Color:** Black
- Shade No:** None
- Material:** Glass
- Shade size:** 3 1/4"x 5 1/2"

Certificate :

