

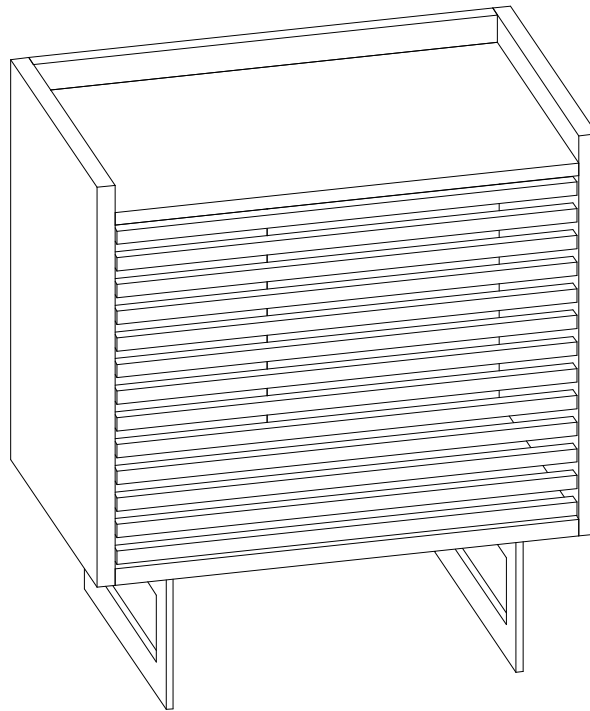
MOE'S

home collection

ASSEMBLY INSTRUCTIONS.

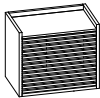
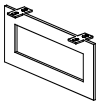



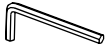
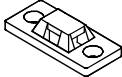

PALOMA 3 DRAWER CHEST

JD-1058-07



THANK YOU FOR YOUR PURCHASE!

PARTS AND HARDWARE.

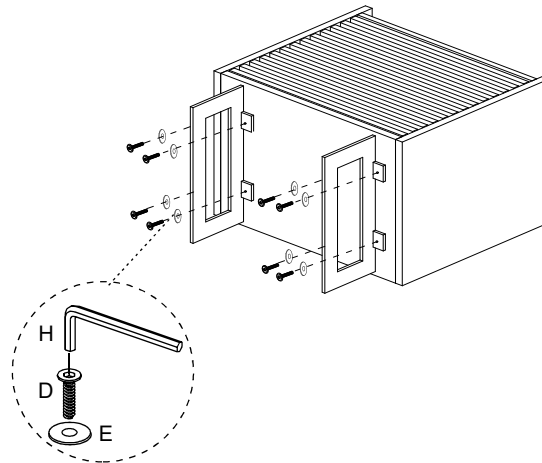
(A) Main Body , 1x 	
(B) Leg , 2x 	
(L) Marble Top , 1x 	
(D) Allen Bolt , 8x (20x8mm) 	
(E) Washer , 8x (8mm) 	
(H) Allen Key , 1x (5mm) 	(I) Wall Clip , 2x 
(J) Zip Tie , 2x 	

NOTES.

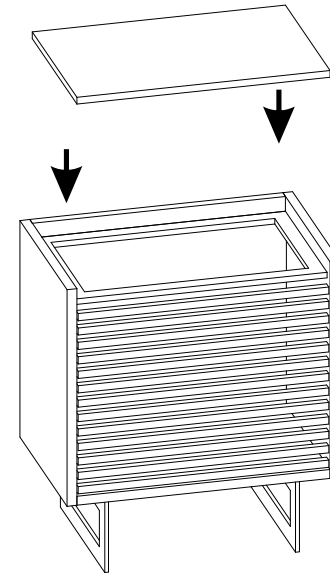
Thank you for purchasing this quality product! Be sure to check all packing material carefully for small part that may have come loose inside the carton during shipping.

CAUTION: The item is heavy, assembly should be performed by two people.

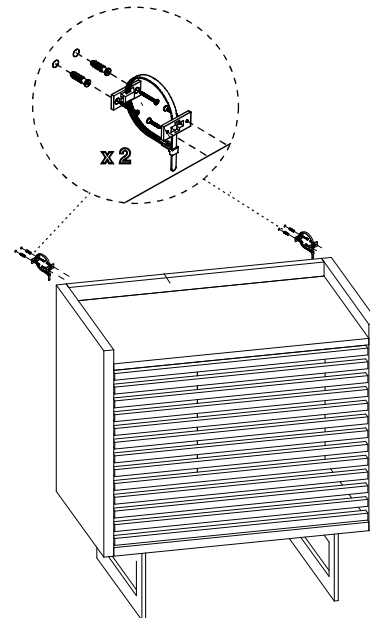
STEP 1.



STEP 2.



STEP 3.



STEP 4.

