

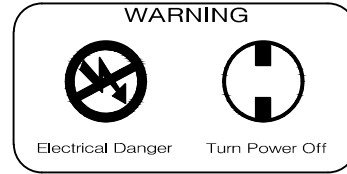
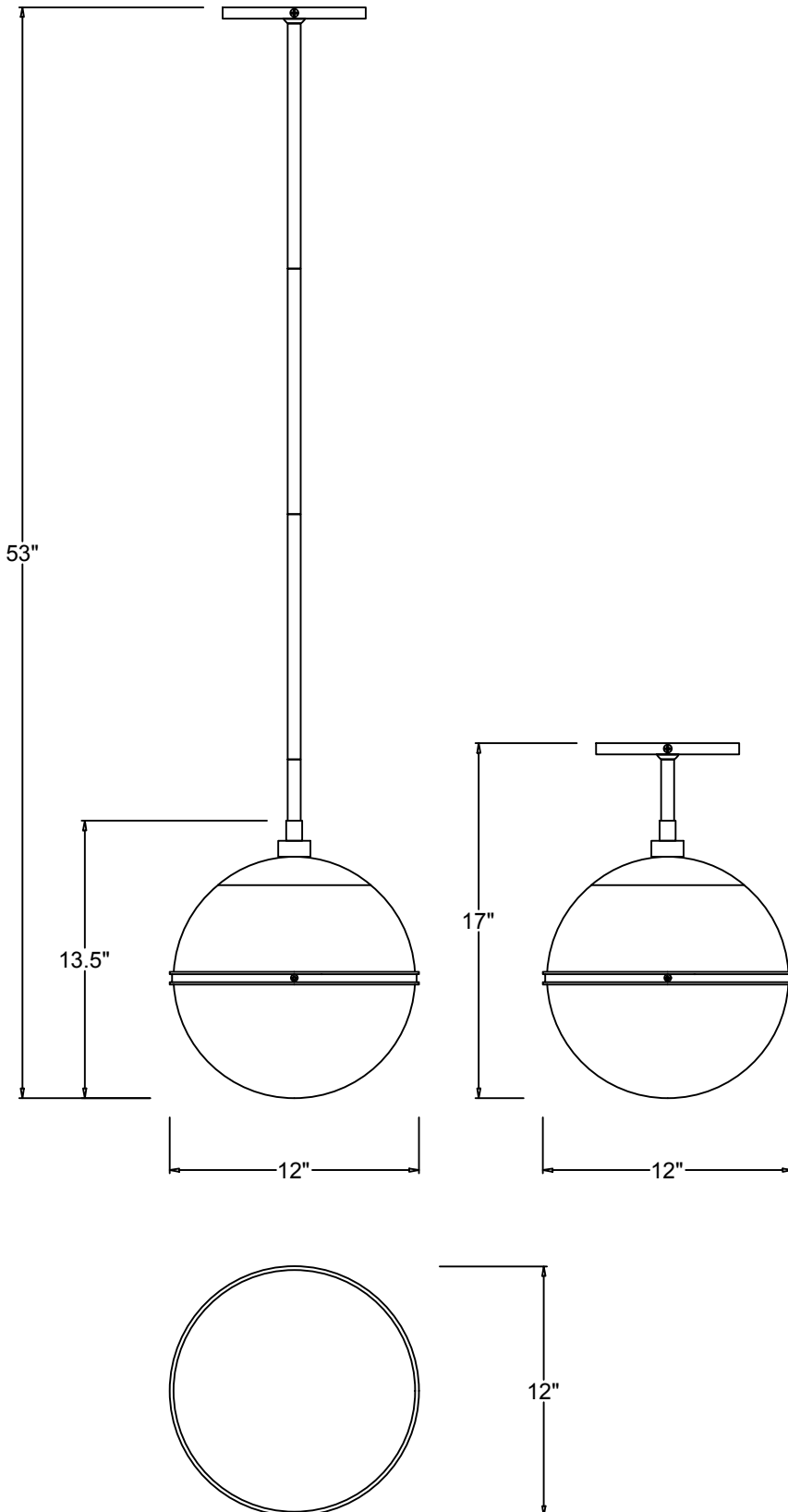
# CRYSTORAMA



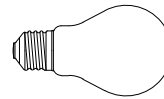
crystorama.com

LIGHTING THE WAY FOR SIXTY YEARS

## ASSEMBLY INSTRUCTION MODEL #2112-AG



All electrical components must be installed by a licensed electrician in accordance with the National Electric Code and the appropriate local electrical codes.



You will need 1-Medium Bulb  
40 Watts Recommended 60 Watts Max  
Bulb not included  
USE LED BULBS FOR EXTENDED USE  
This fixture is DRY rated

### How to Install

Assembly Instructions: Note it is strongly recommended that 2 people complete the assembly of this item.

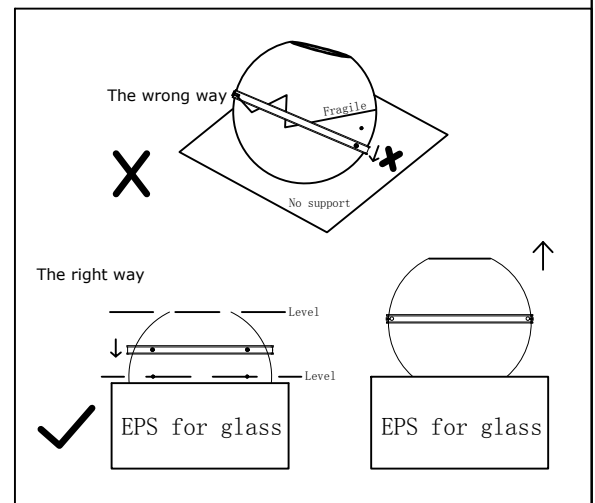
1. Install the metal band onto the glass shade (rest the glass shade inside the foam block included in the packaging. Hold the metal band straight while another person secures it on the glass with the screws provided).
2. Unscrew the decorative nut.
3. Install bulbs into the socket.
4. Attach the lower metal cap and socket cluster into the glass shade.
5. Attach the upper metal cap onto the glass shade and secure using the decorative nut.

### How to handle glass

The glass hole is fragile, please assemble according to the special instructions:

1. Take off the glass from package, remove the polybag and place it horizontally on the EPS for metal ring assembly.

### Sketch Map



**⚠ WARNING:** This product can expose you to Lead, which is known to the State of California to cause cancer and/or birth defects or reproductive harm. For more information go to [www.P65Warnings.ca.gov](http://www.P65Warnings.ca.gov)

# CRYSTORAMA

LIGHTING THE WAY FOR SIXTY YEARS



crystorama.com

PART NUMBER MODEL #2112-AG

## Part Number

### Part Numbers

- A. Mounting Hardware
  - (3) Wire Nut
  - (4) Wall anchor
  - (4) Anchor screw
  - (4) Screws
- (1) Mounting Plate
- (1) Green Ground Screw
- B. (1) Canopy; 7"x7"x0.55"h; XMO2016AGCAN7IN
- C. (3) Rod; Ø0.63"x12"h; XMO2016AGROD12IN
- D. (1) Rod; Ø0.63"x3"h; XMO2016AGROD3IN
- E. (1) Decorative nut
- F. (1) Upper metal cap; XMO2112AGCAPUP
- G. (1) Lower metal cap; XMO2112AGCAPLOW
- H. (1) Socket
- I. (1) Metal band; XMO2112AGRING12IN
- J. (3) Ball nut
- K. (3) Screws
- L. (1) Glass shade; XMO2112GLA12IN

