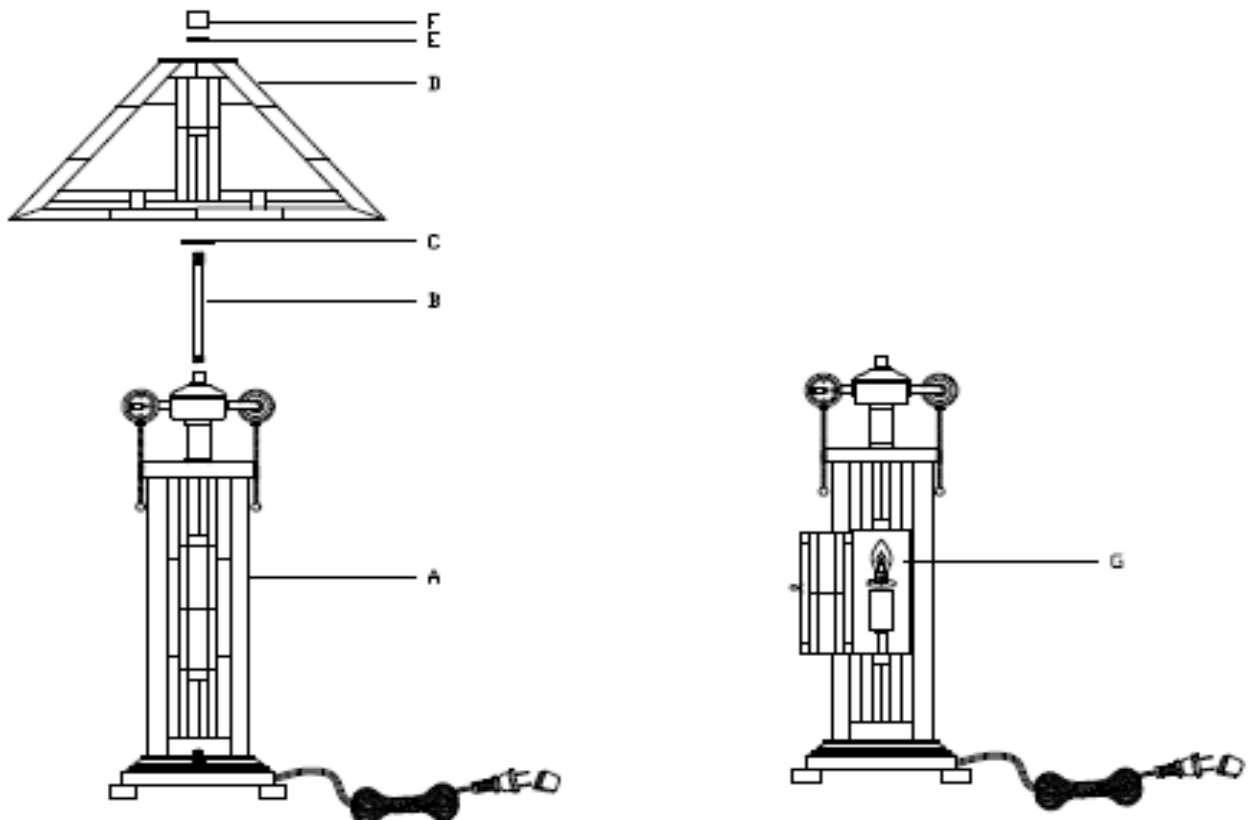


# ASSEMBLY INSTRUCTIONS

ITEM NO: BO-2719TB

1. CAREFULLY UNPACK AND PLACE ALL PARTS ON A SMOOTH SURFACE AND LAY THEM UP AS PER THE SKETCH.
2. SCREW STEM(B) INTO THE LAMP BASE(A).
3. PUT WASHER(C) ONTO THE STEM(B).
4. PLACE THE SHADE(D) OVER THE END OF THE STEM(B) ,PUT PLASTIC WASHER(E) OVER THE END OF THE STEM(B) AND TIGHTEN THE SHADE(D) WITH THE FINIAL(F) .
5. INSERT BULBS (NOT INCLUDED) INTO BULB SOCKETS.
6. INSERT THE POWER PLUG INTO PLUG SEAT TO USE

REPLACEMENT OF NIGHT LIGHT BULB: OPEN THE DOOR ON THE BACK OF LAMP BASE(A),UNSCREW THE OLD 7W BULB,SCREW NEW 7W BULB INTO THE E12 SOCKET.THEN,CLOSE THE DOOR.



Recommended (2) maximum 60 WATT Type “A” Bulbs Or (2) maximum 13WATT CFL Bulbs (Bulbs not included) for Top light.

Recommended (1) maximum 7 WATT Type “C” Bulbs (Bulbs included) for Lower night light.

SAVE THESE INSTRUCTIONS FOR FUTURE REFERENCE.