



# INSTALLATION INSTRUCTIONS

## IMPORTANT

Before assembling your access lighting fixture, please make sure that you carefully read through these instruction sheets. Consider having your fixture installed by a qualified licensed electrician.

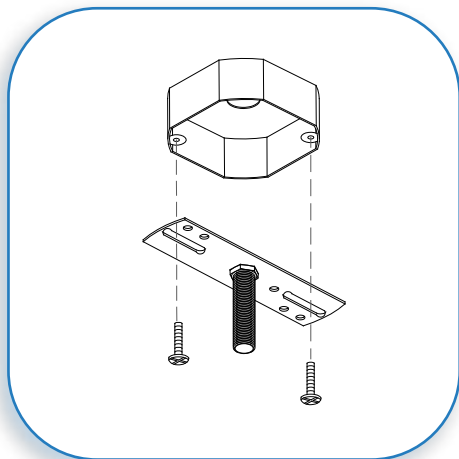
**NOTE:** The important safeguards and instructions that appear in this manual are not meant to cover all possible conditions and situations that may occur. It must be understood that common sense, caution and care, are factors that can't be built into any product. These factors must be supplied by the person(s) caring for and operating the fixture.

## GENERAL INFORMATION

All electrical connections must be in accordance with all ordinances, Local and National Electrical Codes. These fixtures are intended for mounting to a standard 4" x 2 1/2" metal octagon outlet box. The box must be directly supported by the building structure and U.L. Recognized.

## STEP BY STEP INSTRUCTIONS

Before starting your installation disconnect the Power by turning off the Circuit Breaker or by removing the fuse at the fuse box. Just turning the light off at the light switch is not sufficient to prevent electrical shock.



## COLLECTION

## APPLICATION

## MODEL NO.

Pendant fixture

87122UJ

## WHAT WE PROVIDE

- Mounting Hardware
- Fixture Assembly
- Transformer

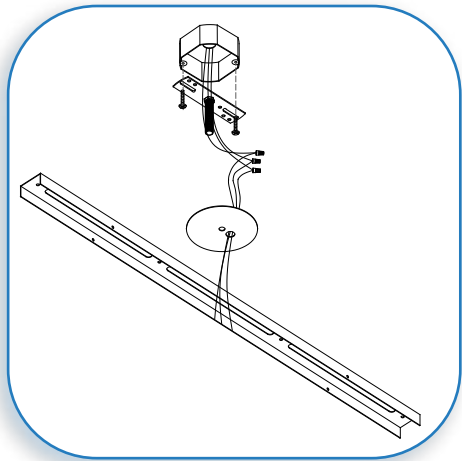
## WHAT YOU NEED

- Screwdriver
- Wire Cutters
- Wiring Supplies as Specified by Electrical Code

# 1

## MOUNT CROSSBAR

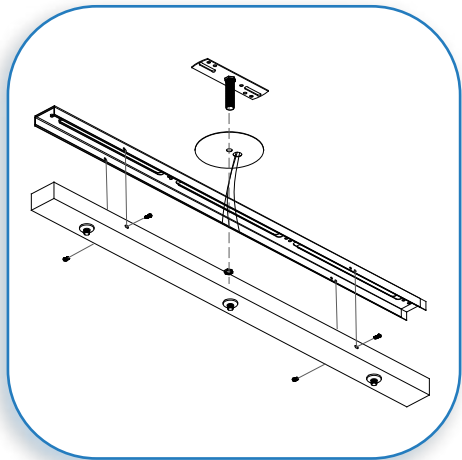
If there is an existing fixture remove it. Mount the crossbar to the J-Box with the supplied mounting screws.



2

**MAKE WIRE CONNECTION**

Connect the black supply wire to the black transformer input wire. Secure with the supplied wire nuts.  
 Connect the white supply wires to the white transformer input wire. Secure with the supplied wire nuts.  
 Either wrap the green wire around one of the protruding screws or connect it to the supply ground.  
 Secure all wire with U.L certified electrical tape (not supplied). Tuck all wires carefully into the J-Box.



3

**MOUNT BACKPLATE AND CANOPY TO THE CROSSBAR**

Place the backplate over the crossbar, secure with the Top cap. Place the canopy up to the backplate, aligne the holes in the side of canopy in the designated hole in the backplate and using the supplied screws to secure the canopy.



4

**CONNECT THE UNI-JACK  
 RESTORE THE ELECTRICITY AND  
 CHECK THE OPERATION OF YOUR  
 NEW ACCESS FIXTURE**

**CAUTION** Please ensure that the fitting is cool and switched off before replacing the bulb. DO NOT use bulbs that exceed the maximum wattage, stated on caution label.