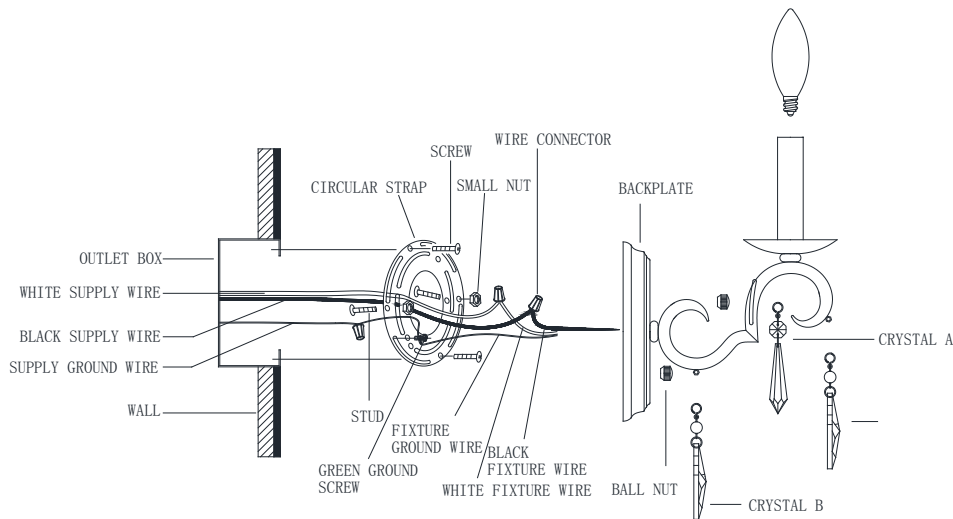


ASSEMBLY AND INSTALLATION INSTRUCTIONS

CL1571DB/AW

WARNING:

TO AVOID RISK OF ELECTRICAL SHOCK, BE SURE TO SHUT OFF
POWER OR SERVICING THIS FIXTURE.



Installation Steps

PREPARATION

1. Shut off power at the fuse box or circuit breaker box. If necessary, remove old fixture and all mounting hardware from wall Outlet Box.
2. Carefully unpack your new Fixture and lay out all the parts on a clear surface. Take care not loose any small parts necessary for installation.

MOUNTING THE FIXTURE

1. The Circular Strap contains several pairs of threaded holes, Find the pair of holes that match the hole spacing in your Fixture Canopy and thread the two Studs part Way into the Circular Strap, adjust the length as you measured, and then tighten with the Small Nut.
2. Place the Circular Strap over the Outlet Box so the Studs are vertical or horizontal, as required by fixture type. Holding the Strap in place, screw to the Outlet Box by threading the two Outlet Box Screws, through the slotted holes.
3. Connect the Wires as described under Connecting the Wires.
4. Place the fixture backplate over the two Studs so they protrude through the holes in the backplate, thread the Ball nut onto the Studs and continue turning until the Fixture is snug against the wall. (See) "Completing the Installation".

CONNECTING THE WIRES

Connect the Fixture Wires to the Supply Wires. Make sure all wire connectors are secure and do not easily pull off with a slight tug if there is no Green Ground Wire from the Outlet Box, connect the Fixture Ground Wire to the Circular Strap with the Green Screw provided.

COMPLETING THE INSTALLATION

1. **Attach the crystal A & crystal B onto lamp body according to the diagram.**
- 2: Install the lighting bulb in accordance with the fixture's specifications.

DO NOT EXCEED THE MAXIMU WATTAGE RATING!

- 3: Turn on the power at fuse or Circuit Box. **NOTE:** All parts must be used as indicated, and the physical integrity must be maintained to insure ETL/CETL. listing of this fixture.