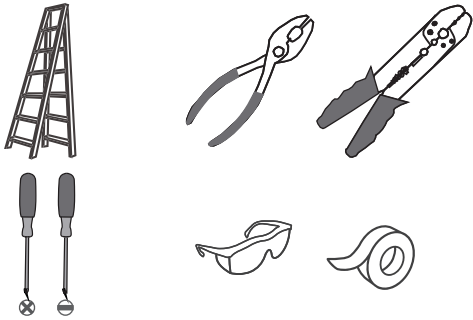
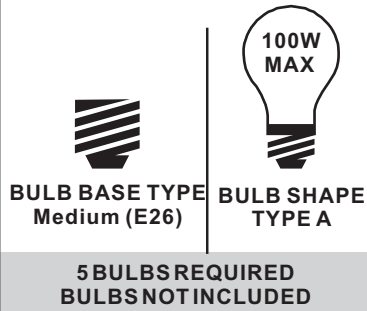


Tools Required



Light Source



Fixture Height Adjustable
16.75" to 46.75"

Warnings and Cautions

Turn off the electricity at the circuit breaker before installation. Consult a licensed electrician if in doubt about installation.

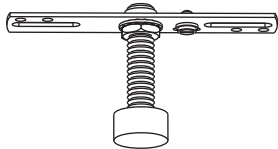
Turn off power to the fixture and allow the bulbs to cool before replacing.

Package Contents

Preparation: Identify and inspect all parts before beginning the installation.

Missing or damaged parts? Contact your original place of purchase.

PARTS BAG



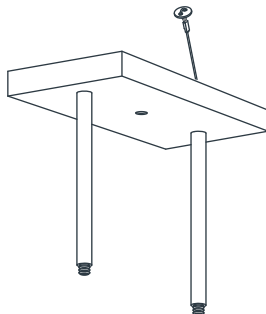
A Crossbar Assembly x 1



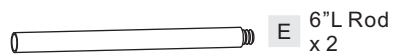
B Outlet Box Screw x 2



C Wire Connector x 3



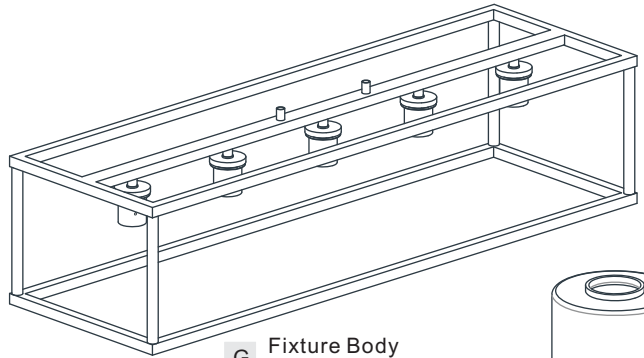
D Ceiling Canopy Assembly x 1



E 6" L Rod x 2



F 12" L Rod x 4



G Fixture Body x 1

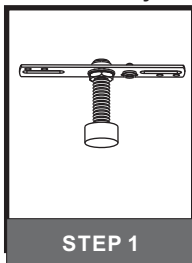
Shade x 5 **H**



I Vintage Bulb x 5

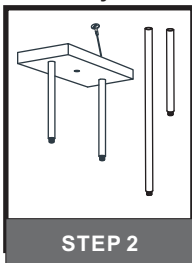
Table of Contents

Crossbar Assembly



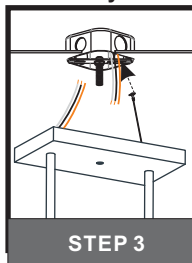
STEP 1

Ceiling Canopy Assembly & Rods



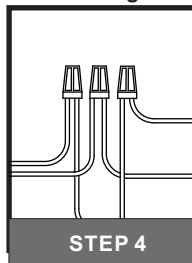
STEP 2

Lanyard



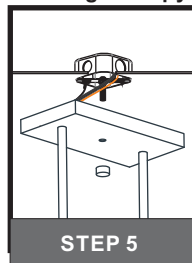
STEP 3

Wiring



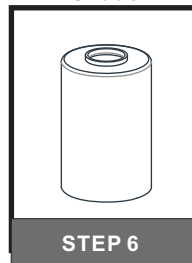
STEP 4

Ceiling Canopy



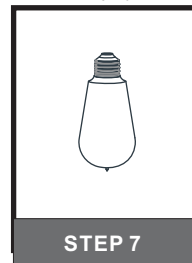
STEP 5

Shade



STEP 6

Bulb

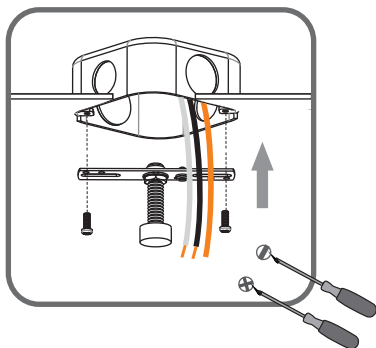


STEP 7

STEP 1

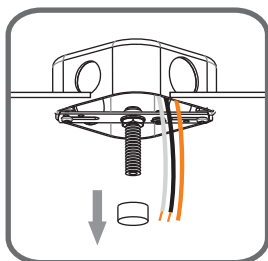
1

Step 1
Install crossbar assembly

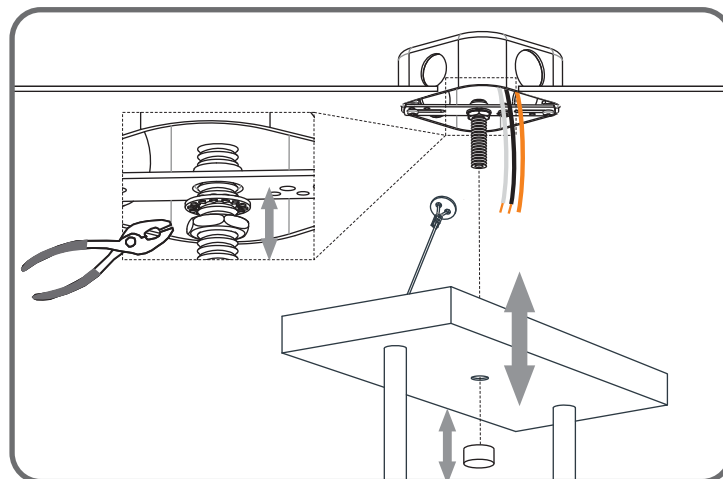


2

Step 2 - 3
Test fitting ceiling canopy to nipple



3

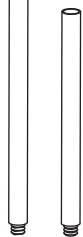


STEP 2

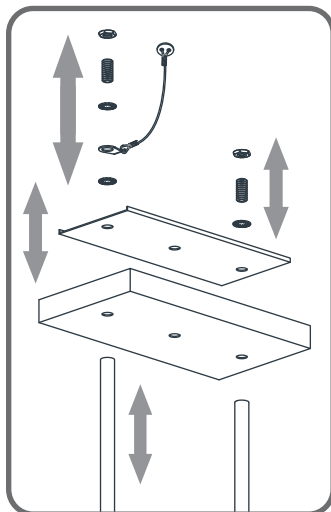
1

Optional Rods

- 8' ceiling:
(2) 6" L + (2) 12" L rods
- 9' ceiling:
(2) 6" L + (4) 12" L rods
- 10' ceiling:
(4) 6" L + (4) 12" L rods



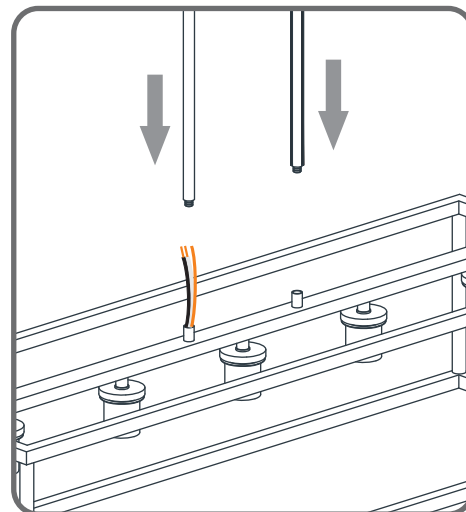
Remove 6" L rod from
ceiling canopy



Install ceiling canopy and
lanyards back onto upper rod

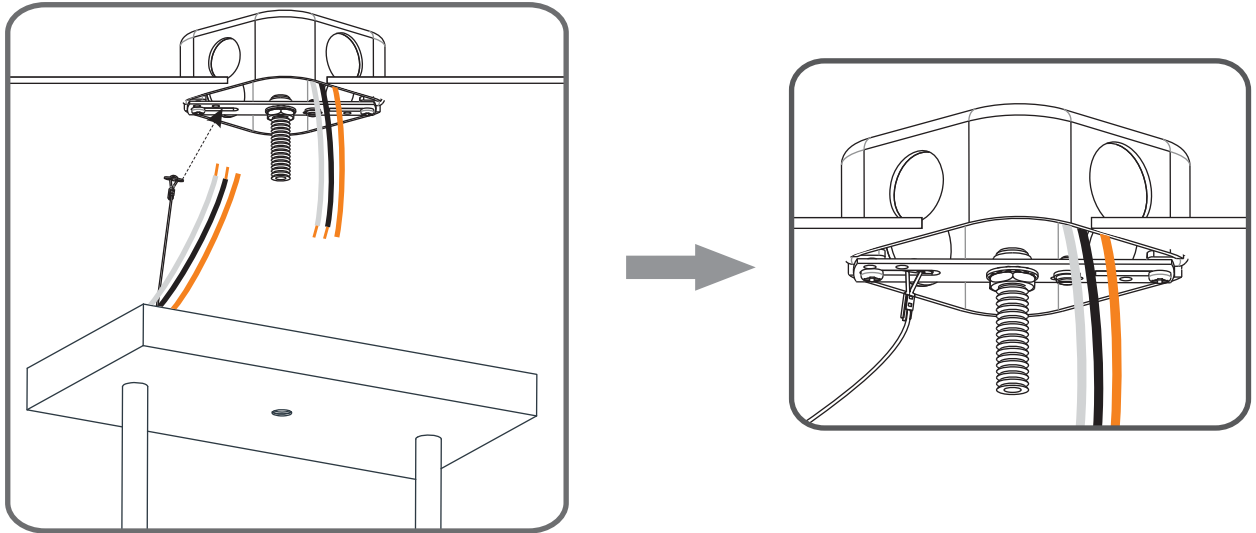
2

Install rods to fixture body

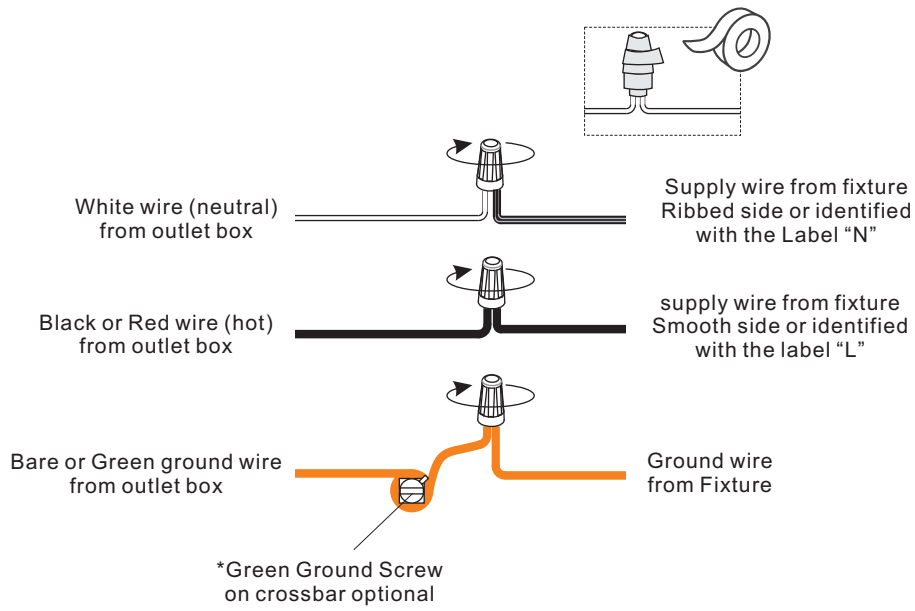


3

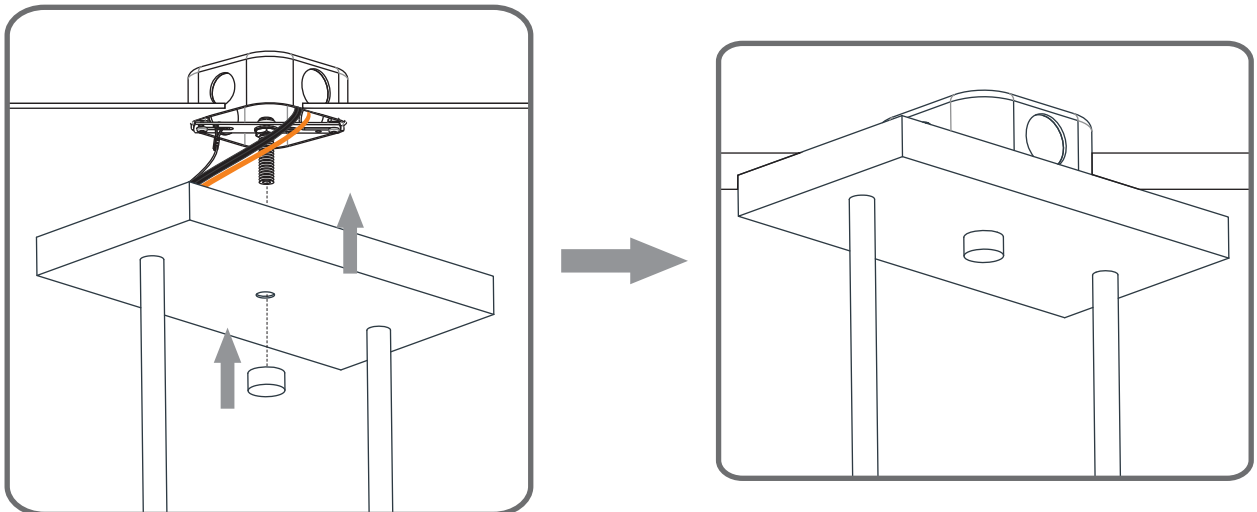
STEP 3



STEP 4



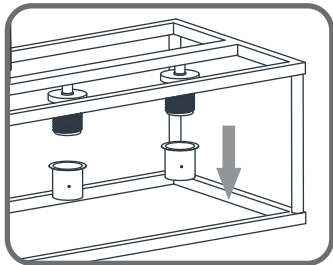
STEP 5



STEP 6

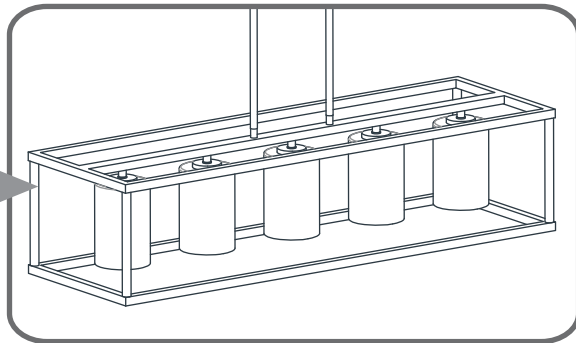
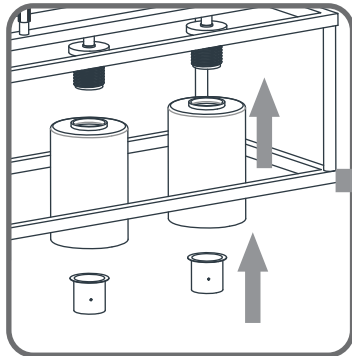
1

Remove socket collar



2

Install shade



STEP 7

