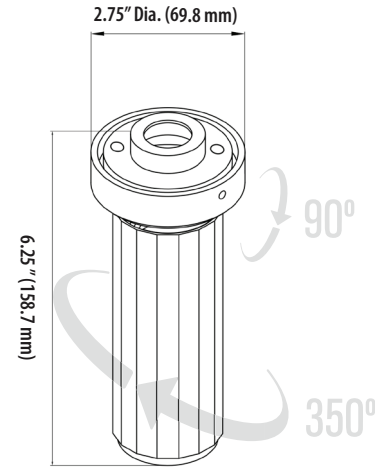


# ORBIT SERIES

## VMCL004101A008WH



PROJECT: \_\_\_\_\_ TYPE: \_\_\_\_\_ CATALOG #: \_\_\_\_\_ DATE: \_\_\_\_\_



### NOMINAL STANDARD SPECIFICATIONS

SKU:	VMCL004101A008WH
FINISH:	WHITE
LUMEN OUTPUT:	502.01
INPUT VOLTAGE:	120V
COLOR TEMPERATURE:	3000K
CRI: 90	90
DIMMING:	ELV
POSITIONING:	ADJUSTABLE 90° AND ROTATABLE 350°
BEAM ANGLE:	36°
WATTAGE:	8 W
CUT OUT:	1.5" Dia.
ENVIRONMENT:	DRY / IP20
MOUNTING:	SURFACE

### FEATURES

- LED Adjustable surface mounted spotlight, ORBIT Series
- Aluminum body structure available in 2 finishes Black and White
- Integrated AC LED fixture, surface mounted
- IC Rated
- OVERALL DIMENSIONS: 2.75" Diameter x 6.25"H
- BACKPLATE DIMENSIONS: 2.75" Diameter x 0.75"H
- LIGHT HEAD DIMENSIONS: 2" Diameter x 5"H
- HOLE SIZE: 1.5" Diameter
- LENS BEAM ANGLE: offered in 3 beam angles 15°, 24°, 36°
- ETL, cETL, Title 20 Compliant, Title 24 Compliant, Prop 65 Compliant, Energy Star Compliant
- 3 Year Limited Warranty

\*\*\*THE MEASUREMENTS ARE ROUNDED TO THE NEAREST 1/4"\*\*\*

### SAMPLE ORDERING SKU

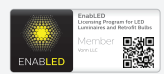
1	2	3	4	5	6
VMCL004101A008WH	08	WH	30K	B36	
1 - SKU	2 - WATTAGE	3 - FINISH	4 - COLOR TEMP.	5 - BEAM ANGLE	6 - OTHER OPTIONS
VMCL004101A	08 - 8 W	WH - White BL - Black*	27K - 2700* 30K - 3000 35K - 3500* 40K - 4000*	B15 -15°* B24 -24°* B36 -36°	EMD - EMERGENCY DRIVER EMC - EMERGENCY CIRCUIT

### NOTES

\*ANY CUSTOM MODIFICATION WILL SUBJECT TO MINIMUM ORDER QUANTITY. (M.O.Q.)

### RELATED PRODUCTS AVAILABLE:

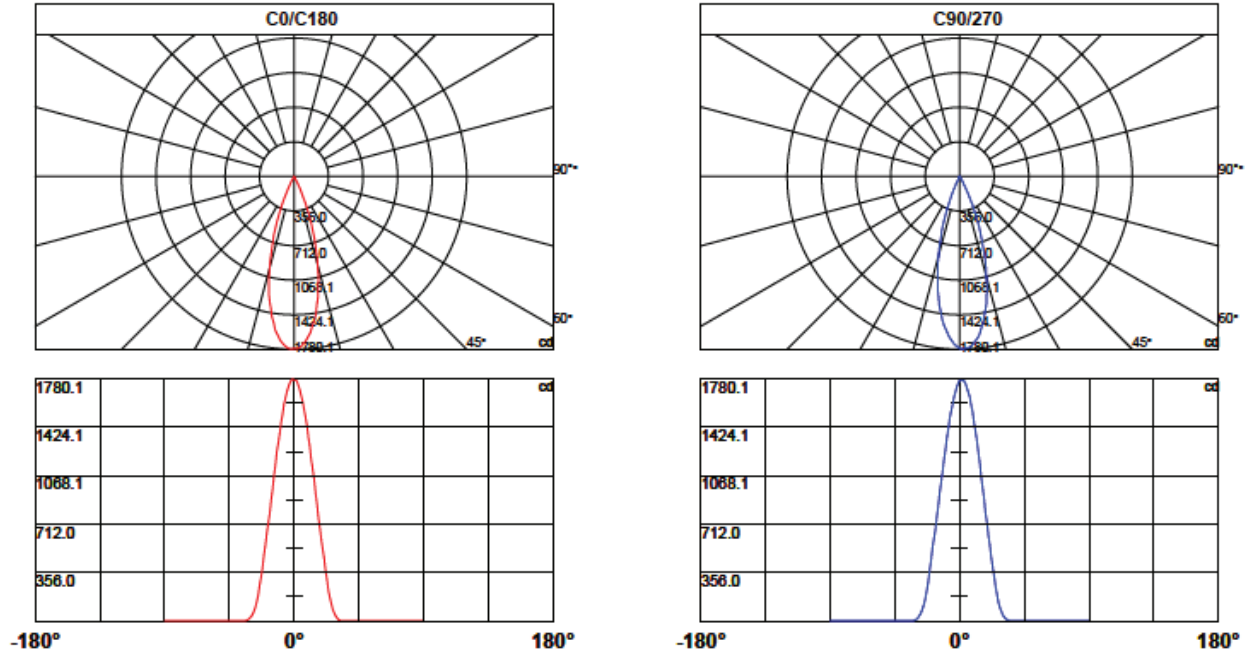
- VMCL004101A008WH
- VMCL004101B016BL
- VMDL004101A008BL
- VMDL004101A008WH



PROJECT: \_\_\_\_\_ TYPE: \_\_\_\_\_ CATALOG #: \_\_\_\_\_ DATE: \_\_\_\_\_

### PHOTOMETRICS

30K - 3000 - STANDARD



### BEAM ANGLE

30K - 3000 - STANDARD

Lux-Distance Curve

