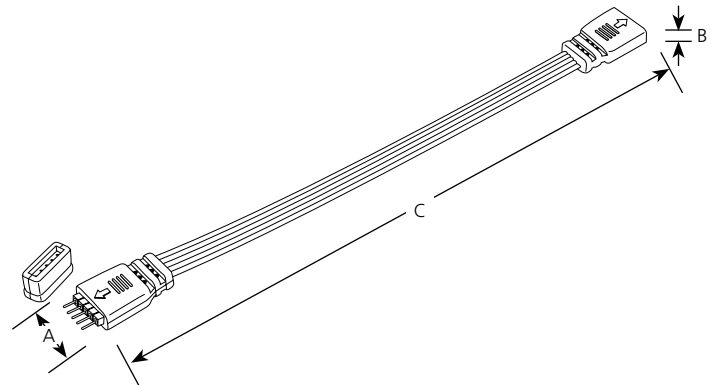




| Catalog No. | Finish | | Dimensions (Inches) | | |
|-------------|--------|--|---------------------|------|----|
| | Black | | A | B | C |
| P8732 | -30 | | 1/2 | 3/16 | 6 |
| P8705 | -30 | | 1/2 | 3/16 | 96 |

Type _____
 -30
 P8732
 P8705



Specifications:

General

- Black (-30) finish
- Connector cord to connect tape sections

Mounting

- Undercabinet mount

Electrical

- Fixtures can be linked together to form a continuous row of illumination
- Pre-wired

Labeling

- CETL Damp location listed