

SAFETY INFORMATION

Please read and understand this entire manual before attempting to assemble, install or operate the product.

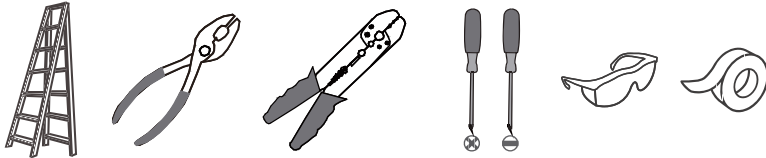
WARNING

- RISK OF ELECTRIC SHOCK - Before beginning installation, turn off electricity at the circuit breaker box or the main fuse box.
- RISK OF FIRE - Use bulbs specified by the markings and/or labels on the fixture.

CAUTION

- For your safety, read instructions completely before beginning installation.
- If in doubt about electrical installation, consult a licensed electrician.
- Turn off electricity to fixture before replacing the bulb(s).

TOOLS REQUIRED

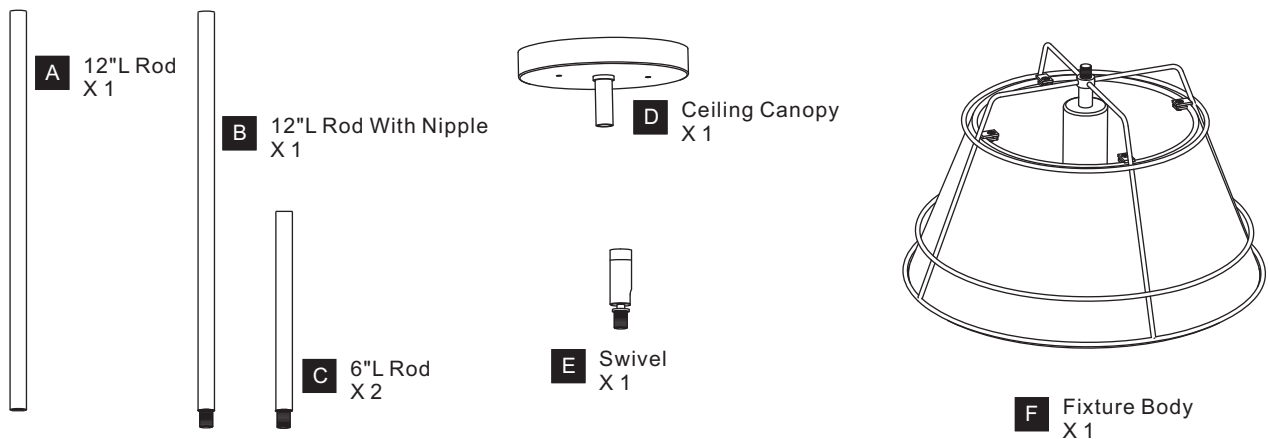


CARE AND MAINTENANCE

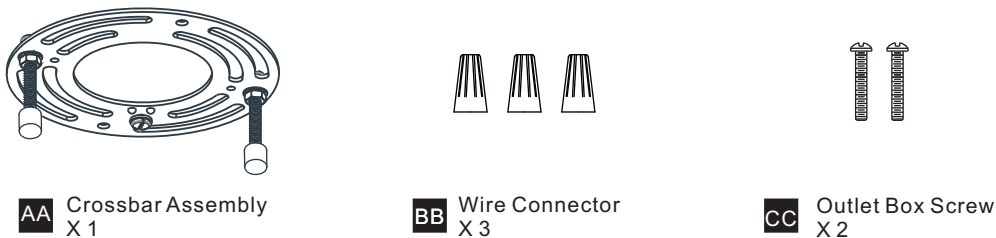
- Wipe clean using soft, dry cloth or static duster. Always avoid using harsh chemicals and abrasives to clean fixture as they may damage the finish.

If you need further assistance call Quozel Customer Care at 1-800-645-3184(9:00am - 5:00pm EST), or visit us on-line at www.quezel.com

PACKAGE CONTENTS



MOUNTING HARDWARE



INSTALLATION

IMPORTANT: This CONVERTIBLE fixture can be mounted as pendant light or semi-flush light. **DO NOT CUT SUPPLY WIRES** if you intend to use it as pendant light.

OPTION 1: SEMI - FLUSH QSF5629MBK

* Set aside (2) 6"L Rods, (2) 12"L Rods, Swivel since they are not required for the semi-flush



1 Install Ceiling Canopy to Fixture Body

2 Install Crossbar Assembly

3 Wiring

White wire from supply White from fixture

Black (or red) wire from supply Black from fixture

Ground wire from supply Ground wire from fixture



Green ground screw

4 Install Ceiling Canopy

5 Install Bulb

Install the correct bulb referring to fixture markings and/or labels for maximum wattage.

Recommended Bulb Type (not included):

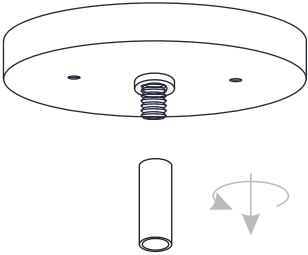
	
BULB BASE TYPE Medium (E26)	BULB TYPE TYPE A

INSTALLATION

IMPORTANT: This CONVERTIBLE fixture can be mounted as pendant light or semi-flush light. **DO NOT CUT SUPPLY WIRES** if you intend to use it as pendant light.

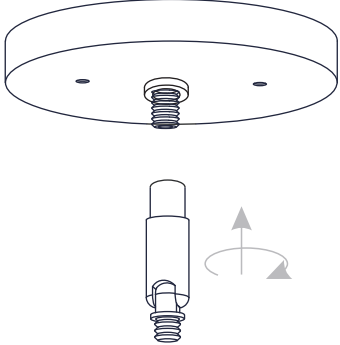
OPTION 2: PENDANT - QPP5629MBK

1 Remove Rod



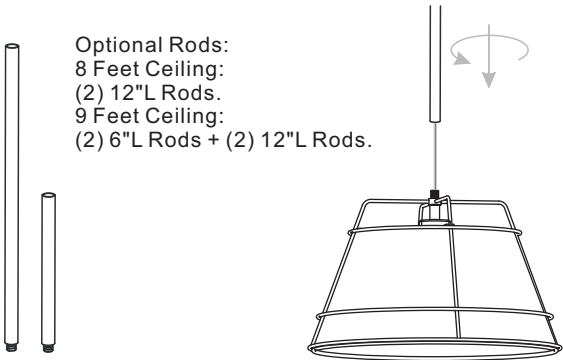
* Set the rod aside since it is not required for the pendant installation.

2 Install Ceiling Canopy

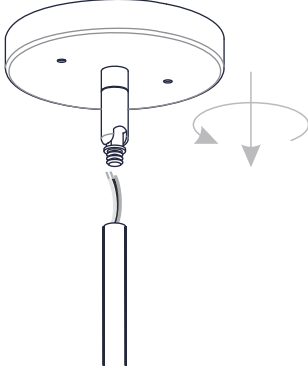


3 Install Fixture Body to Rods

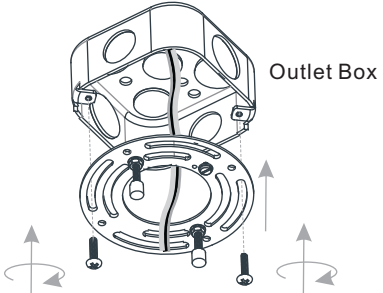
Optional Rods:
8 Feet Ceiling:
(2) 12"L Rods.
9 Feet Ceiling:
(2) 6"L Rods + (2) 12"L Rods.



4 Install Ceiling Canopy to Upper Rod

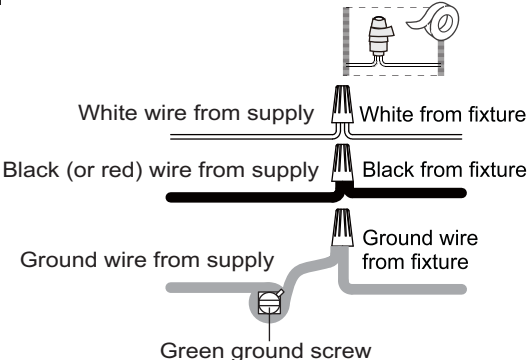


5 Install Crossbar Assembly



Outlet Box

6 Wiring



White wire from supply White from fixture

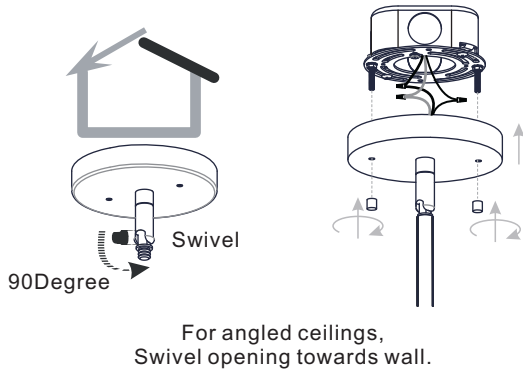
Black (or red) wire from supply Black from fixture

Ground wire from supply Ground wire from fixture

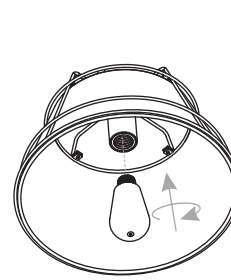
Green ground screw

INSTALLATION

7 Install Ceiling Canopy to Crossbar Assembly




8 Install Bulb



Install the correct bulb referring to fixture markings and/or labels for maximum wattage.

Recommended Bulb Type (not included):


BULB BASE TYPE
Medium (E26)


100W
MAX
BULB TYPE
TYPE A

Your installation is now complete! Restore electricity and save this sheet for future reference.