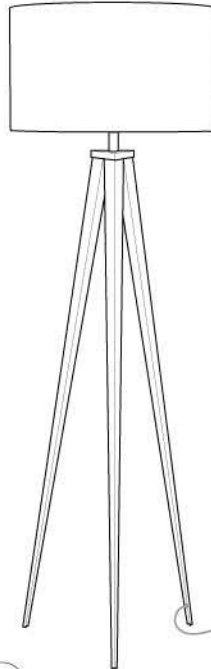


DIRECTOR FLOOR LAMP

6424-01



Use a Type A,
150W max. bulb
Bulb not included

Use un foco tipo A de
150W máximos
No se incluye el bombillo



Use an E26,
30W max. CFL bulb
Bulb not included

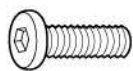
Use un foco CFL E26 de
30W máximos
No se incluye el bombillo

IMPORTANT SAFETY INSTRUCTIONS

This portable lamp has a polarized plug (one blade is wider than the other) as a feature to reduce the risk of electric shock. This plug will fit in a polarized outlet only one way. If the plug does not fit fully in the outlet, reverse the plug. If it still does not fit, contact a qualified electrician. Never use with an extension cord unless plug can be fully inserted. Do not alter the plug.

Caution : If the external flexible cable or cord of this luminaire is damaged, it should be replaced by a qualified person in order to avoid a hazard.

SKETCH



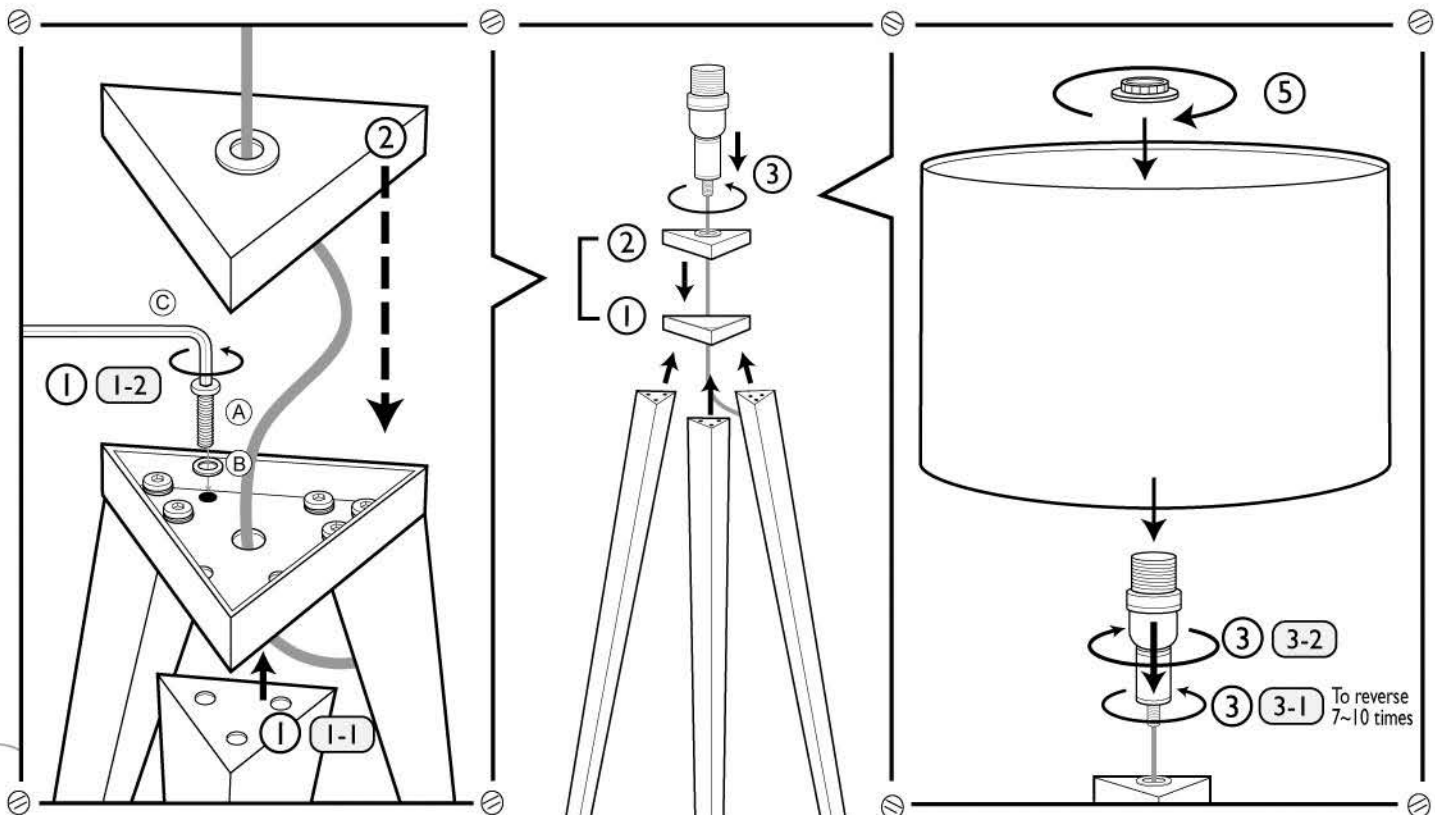
A 9pcs



B 9pcs



C 1pc



For Best Results:

- (1) Be sure that curtains, shades, wall hangings, or other similar materials are not directly touching the top of the lamp shade or light bulb.
- (2) Lamps are not designed to support additional weight; do not hang items from the lamp shade, the power switch, reading light arms, or any other fixture on the floor lamp (except if by design, such as a floor lamp with table).
- (3) Place the lamp on a level surface in a location at which it is unlikely to be bumped against a wall or tipped over by traffic.

- (4) Light bulbs should never actually touch a lamp shade. If a lamp socket appears loose, tighten it. If the light bulb is touching any part of the shade, please re-check the assembly instructions.
- (5) The lamp should be cleaned or dusted with a clean, dry cloth. We do not recommend any abrasives or cleaning solutions.