



LOCATION		DATE
PREPARED BY		QUANTITY
COMMENTS		FIXTURE TYPE
CATALOG NUMBER		

## Stealth LED Linear Pendant STHP Series

### Features

Sleek contemporary styling linear pendant. Includes a 6 ft. adjustable cable. For use in kitchen, dining, foyers or anywhere general lighting is needed. Provides lighting in residential, commercial and hospitality applications. This fixture mounts to a standard junction box (not included).

### Construction

Full metal construction. Standard mounting holes and hardware are included. Power supply connections must be made inside a junction box (not included).

### Finish

Black or Satin Nickel.

### Diffuser

White acrylic diffuser.

### Electrical

#### D1 Driver

Direct wired with a constant current low voltage electronic LED driver rated at 120 VAC. The driver is dimmable with a 2-wire (Triac) or electronic low voltage (ELV) dimmer switch.

#### D2 Driver

Direct wired with a constant current low voltage electronic LED driver rated for 120-277 VAC. LED driver is dimmable 0-10V DC.

### LED

Integrated LED modules capable of producing:  
 20W = 1200 delivered lumens  
 23W = 1475 delivered lumens  
 Adjustable CCT - 3000K/3500K/4000K  
 Rated for 50,000 Hrs. 90 CRI.

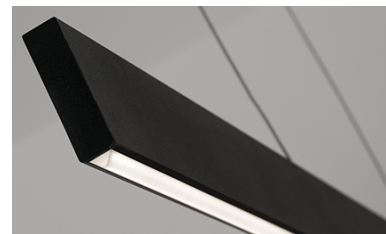
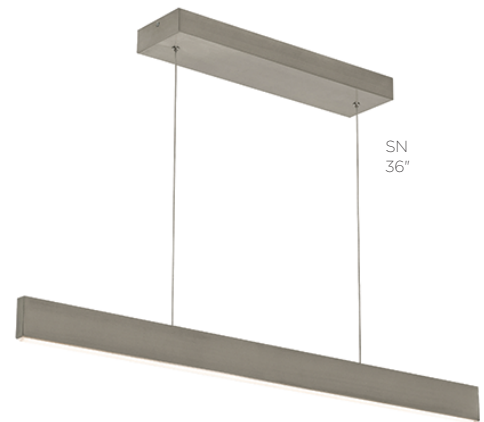
### Certification

All fixtures are cETLus listed for indoor damp locations. Title 24/JA8 Compliant.

### Warranty

Limited warranty: This fixture is free from defects in materials and workmanship for a period of 5 years from date of purchase.

**Specifications and dimensions  
subject to change without notice.**



## Ordering Information:

Black	Satin Nickel	LED	Delivered Lumens	Adjustable CCT	L	W	H
STHP0136LAJD1BK	STHP0136LAJD1SN	20W	1200	3000K/3500K/4000K	36"	5/8"	2-5/8"
STHP0136LAJD2BK	STHP0136LAJD2SN	20W	1200	3000K/3500K/4000K	36"	5/8"	2-5/8"
STHP0146LAJD1BK	STHP0146LAJD1SN	23W	1475	3000K/3500K/4000K	46"	5/8"	2-5/8"
STHP0146LAJD2BK	STHP0146LAJD2SN	23W	1475	3000K/3500K/4000K	46"	5/8"	2-5/8"

