

Please go to www. quozel. com for product cleaning tips. Go to the **Care + Maintenance** selection.

Tools Required: Flathead screwdriver, Phillips screwdriver, pliers, wire cutters, wire strippers, electrical tape, safety glasses.

Light Source: (2) A19 Medium Base Bulbs 60W Maximum, Alternate Bulbs (2) 13W CFL Maximum.

Estimated Assembly Time: 20-30 minutes

Preparation: Identify and inspect all parts before beginning installation. Check package content list and diagrams below to be sure all parts are present. If any parts are missing or damaged, do not attempt to assemble, install, or operate the fixture. Contact customer service for replacement parts.

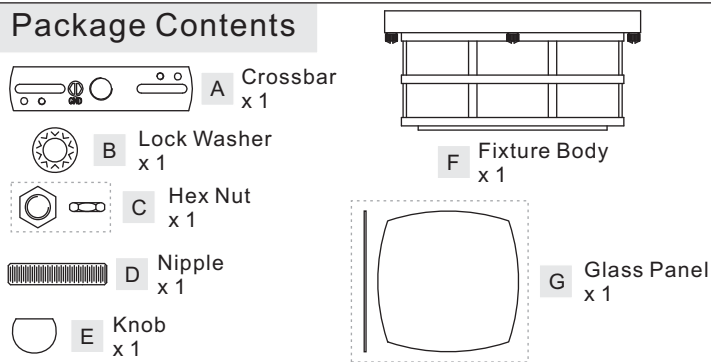
⚠ Warnings and Cautions

Turn off electricity at circuit breaker or main fuse box before installation. Consult a licensed electrician if in doubt.

These instructions are provided for your safety. It is very important you read them completely before installing the fixture. We strongly recommend that a licensed, professional electrician perform the installation.

Disconnect fixture from power source before replacing bulbs. Make sure bulbs are given sufficient time to cool before removal. Do not subject glass parts to any shock while in operation or shattering may result.

Package Contents

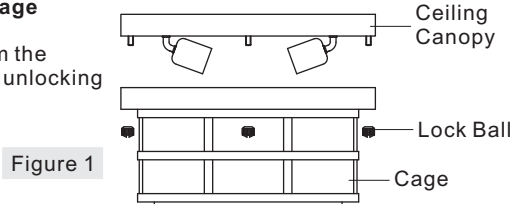


(Step 3 Continued)

- determine the correct position of the Nipple (D). Thread the Knob (E) onto the Nipple (D). Adjust the Nipple (D) to allow the Ceiling Canopy to rest against the ceiling when held in place by the Knob (E).
- D. Remove the Knob (E) and the Ceiling Canopy. Tighten the Hex Nut (C) against the Crossbar (A) to secure in place.
- E. Refer to Step 4 for wire connections.
- F. Place the Ceiling Canopy back over the Nipple (D) and secure with the Knob (E). Hand tighten until snug.

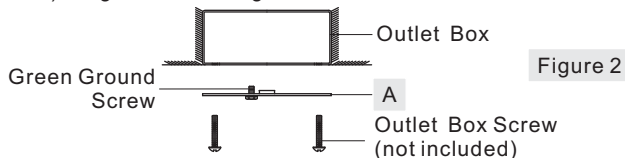
STEP 1 - Remove Cage

- A. Remove Cage from the Ceiling Canopy by unlocking Lock Balls.



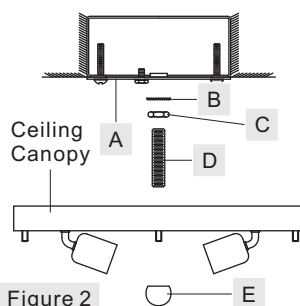
STEP 2 - Install Crossbar

- A. Attach the Crossbar (A) to the Outlet Box with the head of the Green Ground Screw facing you. Secure it with Outlet Box Screws (not included). Tighten until snug.



STEP 3 - Install Nipple and Ceiling Canopy

- * Pliers is required for this step.
- A. Thread Hex Nut (C) to the middle of the Nipple (D). Place Lock Washer (B) over the Nipple (D) and then thread the Nipple (D) into the Crossbar (A) until the Nipple (D) is about 0.375" above the Crossbar (A).
- C. Place the Ceiling Canopy over the Nipple (D) against the ceiling to



STEP 4 - Wire Connections

- A. Use standard wire connectors (not included) to make all wire connections. (Connectors are not included with fixture.) Twist connectors until wires are tightly joined together. Wrap each connection with approved electrical tape and carefully stuff all the connected wires into the Outlet Box.

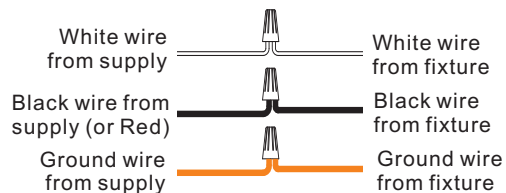


Figure 4

STEP 5 - Install Bulbs and Cage

- A. Place the Glass Panel (G) into the bottom of the Cage (G) properly.
- B. This fixture uses standard bulbs with standard screw bases. Maximum 60 watts. Insert bulb and screw snugly into place.
- C. Attach the Cage over the Bolts on the bottom of the Ceiling Canopy and secure with Lock Balls. Hand tighten until snug.

Your fixture is now assembled and ready to use. Enjoy!

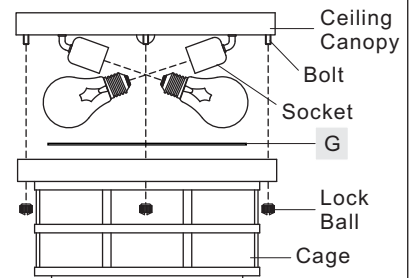


Figure 5

Thank you for purchasing a Quoizel product.
Need assistance with parts or assembly? Call Quoizel customer service at 1-631-273-2700
or visit us on-line at www. quozel. com

HOW TO REPLACE GLASS PANELS

SNN1612K

SNN1612PN

SNN1612W

Unlock Lock Balls and remove the Cage from the Ceiling Canopy.

- A. Replace the Glass Panel on the bottom of the Cage: Replace the Glass Panel with the replacement directly.
- B. Replace Side Glass Panels: Unscrew Screws on the top edge of the Cage and remove Glass Holder. Replace the Side Glass Panel with the replacement. Place the Shade Holder back onto the Cage and secure with the previously removed Screws. Hand tighten until snug.

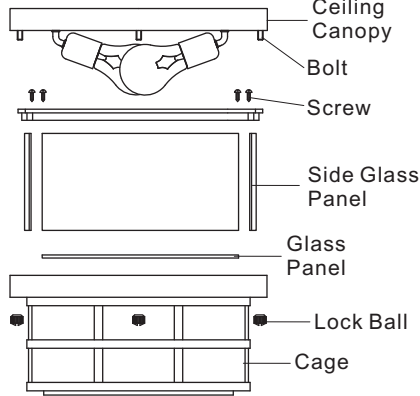
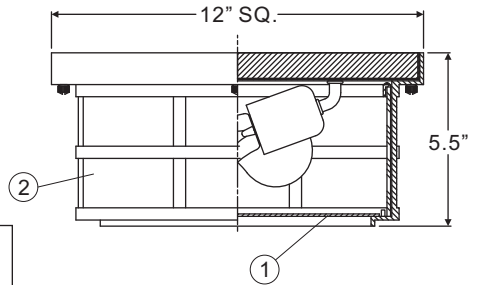
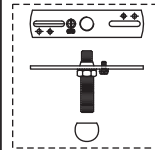
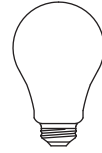


Figure 6

Once the Glass Panel is replaced and secured to the Cage. Place the Cage back onto the Ceiling Canopy and secure with Lock Balls. Hand tighten until snug.



NOTE: ALL DIMENSIONS ARE ROUNDED UP TO THE NEAREST 1/4"



(2) 60W Medium Base Bulb (Not Supplied)

NO.	PART NUMBER	REPLACEMENT PART	REQ.
1	G11962PA	BOTTOM GLASS PANEL	1
2	G11963PA	SIDE GLASS PANEL	4

Thank you for purchasing a Quoizel product.
 Need assistance with parts or assembly? Call Quoizel customer service at 1-631-273-2700
 or visit us on-line at www.quoizel.com