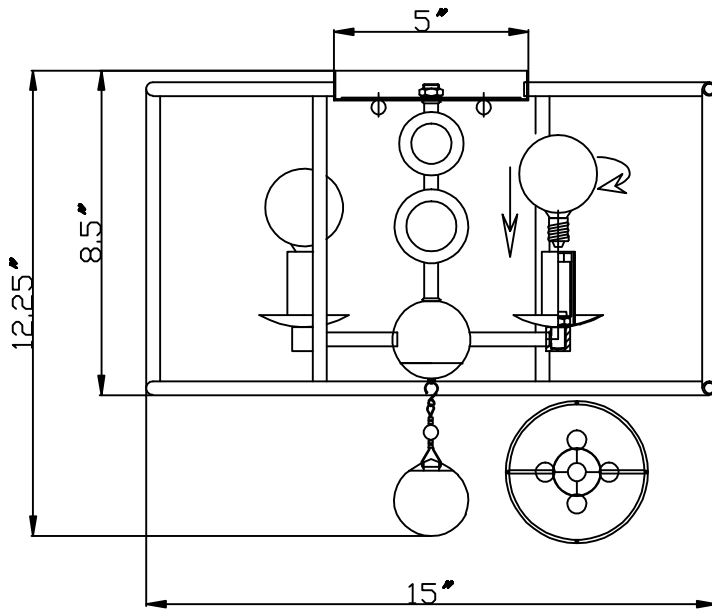


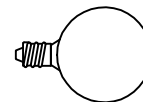
# CRYSTORAMA

LIGHTING THE WAY FOR SIXTY YEARS

## ASSEMBLY INSTRUCTION MODEL #9267-EB



All electrical components must be installed by a licensed electrician in accordance with the National Electric Code and the appropriate local electrical codes.



You will need 4 - Cand. Bulb

40 Watts Recommended

60 Watts Max

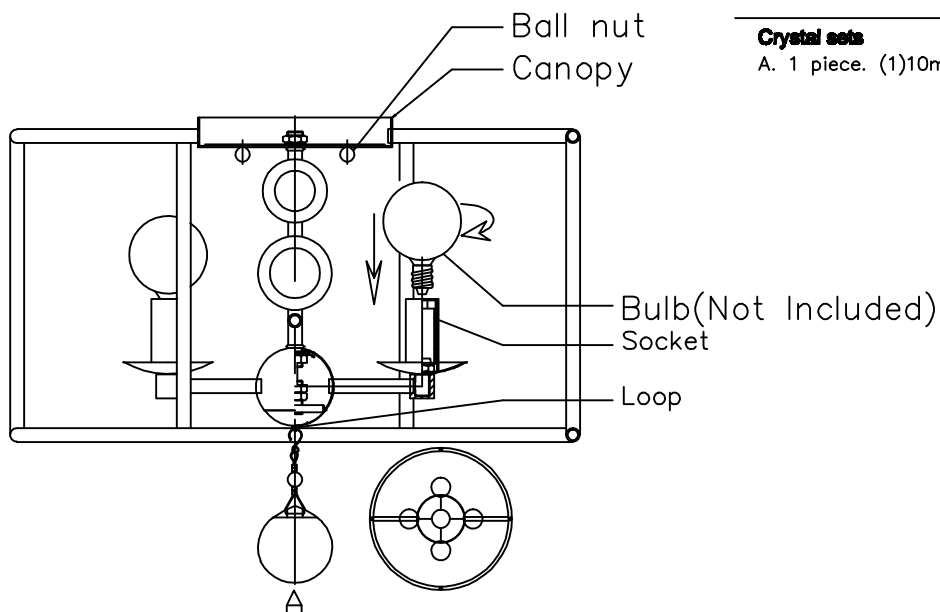
USE LED BULBS FOR EXTENDED USE

### How to Install

1. Attach the canopy onto ceiling junction box and secure it with ball nut.
2. Install the bulb onto the socket.
3. Hang the crystal drop to the loop.

### Crystal sets

- A. 1 piece. (1)10mm ball +50mm ball.



A = (1X50mm Ball+10mm Ball)X1PC



**WARNING:** This product can expose you to Lead, which is known to the State of California to cause cancer and/or birth defects or reproductive harm. For more information go to [www.P65Warnings.ca.gov](http://www.P65Warnings.ca.gov)

# CRYST RAMA

LIGHTING THE WAY FOR SIXTY YEARS

PART NUMBER MODEL #9267-EB

## Part Number

### Part Numbers

- A. (1)–Mounting hardware
- B. (1)–Canopy; W5"XH0.75"
- C. (2)–Ball Nut;XSU9267EBBANUT
- D. (4)–Bulb (Not included)
- E. (4)–Candle sleeves;  $\phi 0.75 \times 2$ ";XSU9267EBCDL2IN
- F. (1)–Loop
- G. (1)–Crystal A;XSU9267CRYSTALA

