

CRYSTORAMA

LIGHTING THE WAY FOR SIXTY YEARS



Crystorama.com

ASSEMBLY INSTRUCTION MODEL #ASP-8915-MK

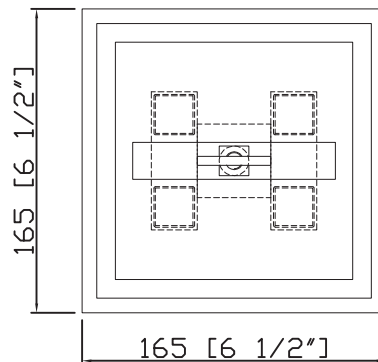
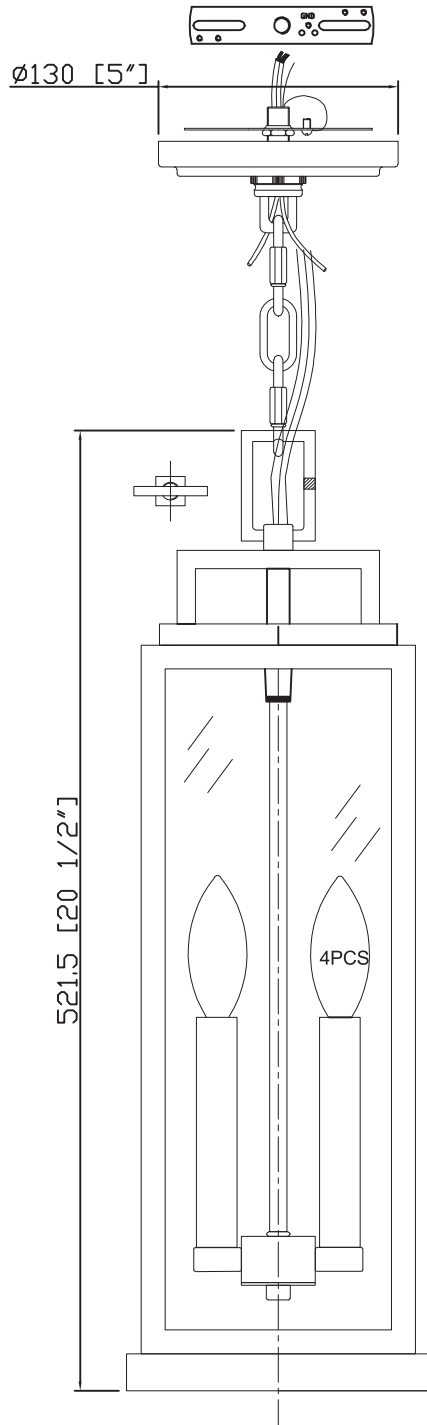


All electrical components must be installed by a licensed electrician in accordance with the National Electric Code and the appropriate local electrical codes.



You will need 4 – Cand. Bulb
40 Watts Recommended 60 Watts Max
USE LED BULBS FOR EXTENDED USE

THIS FIXTURE IS WET RATED



How to Install

1. Install the glass panels onto the frame and secure with the clips.
2. Place the candle sleeve over the socket. Install the bulb onto the socket.
3. Install the mounting bar onto the outlet box using two outlet box screws.
4. Decide the preferred hanging height and choose the correct length of chain needed.
5. Raise the frame up to the ceiling and do the wire connections. Place the canopy over the mounting bar and secure with the collar loop ring.



WARNING: This product can expose you to Lead, which is known to the State of California to cause cancer and/or birth defects or reproductive harm. For more information go to www.P65Warnings.ca.gov

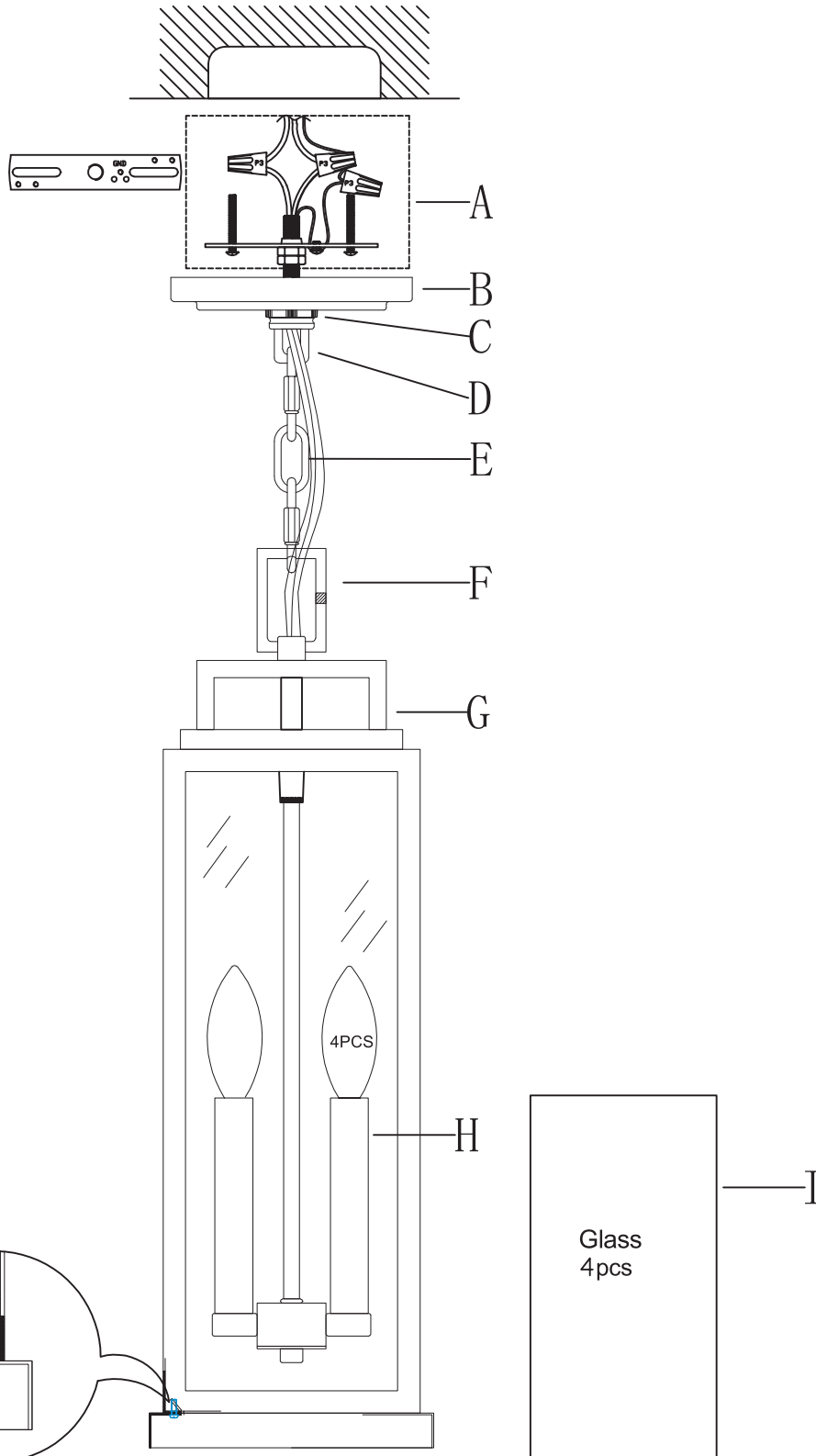
CRYSTORAMA

LIGHTING THE WAY FOR SIXTY YEARS



Crystorama.com

ASSEMBLY INSTRUCTION MODEL #ASP-8915-MK



Part Number

- Part Numbers
- A. (1)-Mounting hardware
 - B. (1)-Canopy XAR8915MAKCAN5.5IN
 - C. (1)-Collar Loop ring
 - D. (1)-Screw collar loop
 - E. (1)-ChainØ4.0*72" XAR8915MKCHA4MM
 - F. (1)-Fixture loop
 - G. (1)-Frame
 - H. (4) -Candle sleeve 5"Gold XAR8912LGCDL5IN
(4)-Candle sleeve 5" White XAR8912WHCDL5IN
 - I. (4)-Glass panel W5.5**H15" XAR8912GLA5.5IN