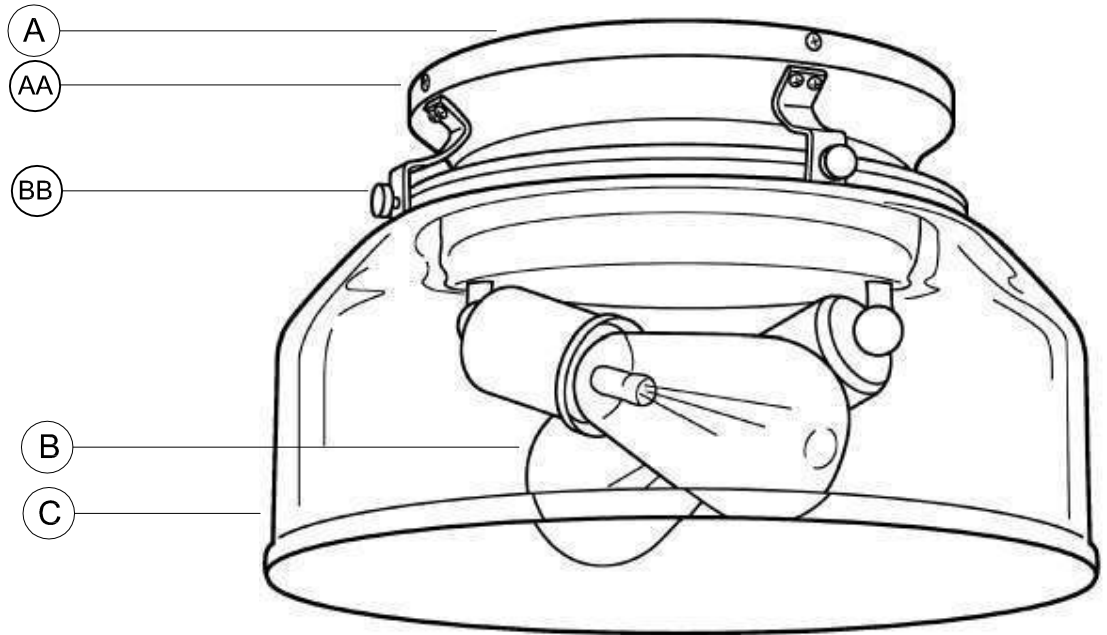

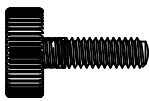


PACKAGE CONTENTS

PART	DESCRIPTION	QUANTITY
A	Light Kit	1
B	Lamps	2
C	Glass Shade	1



HARDWARE CONTENTS (not actual size)

(AA)	(BB)	
		
Screw	Thumb Screw	
Qty:4	Qty:4	



Missing parts? Please contact Customer Service at 1-800-447-0573 or customerservice@progresslighting.com, 8am-8pm (Eastern), Monday - Friday



Safety Information

Please read and understand this entire manual before attempting to assemble, operate or install the product.

CAUTION: Read instructions carefully and turn electricity off at main circuit breaker panel before beginning installation.

CAUTION: Risk of fire. Min. 90°C supply conductors. Consult a qualified electrician to ensure correct branch circuit conductor.

WARNING: If any Special Control Devices are used with this fixture, follow instructions carefully to assure full compliance with N.E.C. requirements. If there are any questions, contact a qualified electrical contractor.

CAUTION: All glass is fragile. Use care when handling glass shades and bulbs.

THIS PRODUCT MUST BE INSTALLED BY A PERSON FAMILIAR WITH THE CONSTRUCTION AND OPERATION OF THE PRODUCT AND THE HAZARDS INVOLVED, IN ACCORDANCE WITH THE APPLICABLE INSTALLATION CODE.

KEEP THESE INSTALLATION INSTRUCTIONS

Preparation

1. Before beginning installation, make sure all parts are included using the contents diagrams from page 1. If any part is missing or damaged, do not attempt to assemble, install or operate the product.
2. Estimated assembly time: 30 minutes.
3. Tools required for assembly (not included): Phillips screwdriver, pliers, wire stripper, safety glasses, electrical tape, ladder.

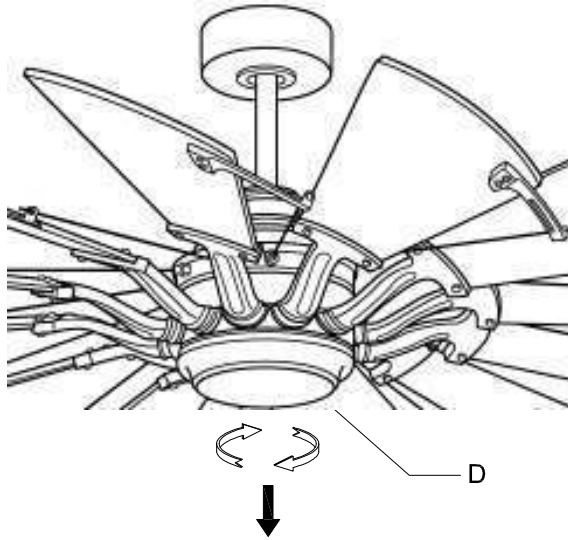
Care and Maintenance

Shut off main power supply before cleaning product or changing light bulbs. To clean, wipe with damp cloth. Do not use abrasive cleaners or cleaners that contain alcohol.

Assembly Instructions

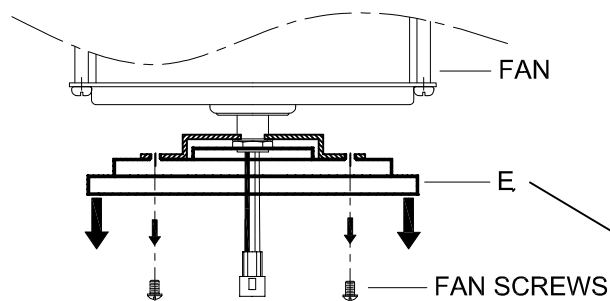
1 Remove Fan Parts

1a



1a. Remove the Decorative Cover (D) on the fan by twisting it counterclockwise and then pulling down.

1b



1b. Identify the Mounting Plate (E) on the fan that the Decorative Cover (D) was attached to. Remove the three fan screws from the Mounting Plate (E). Remove Mounting Plate (E) completely. Mounting Plate (E) must be taken off the fan in order to install the light kit.

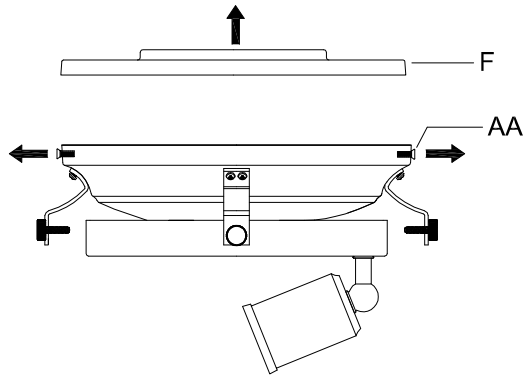


Mounting Plate (E)

ASSEMBLY INSTRUCTIONS

2 Install Light Kit

2a



2a. Loosen Screws (AA) and remove Light Kit Pan (F) from the light kit.

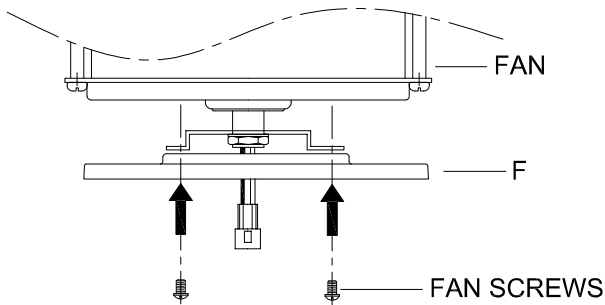
AA



Screws

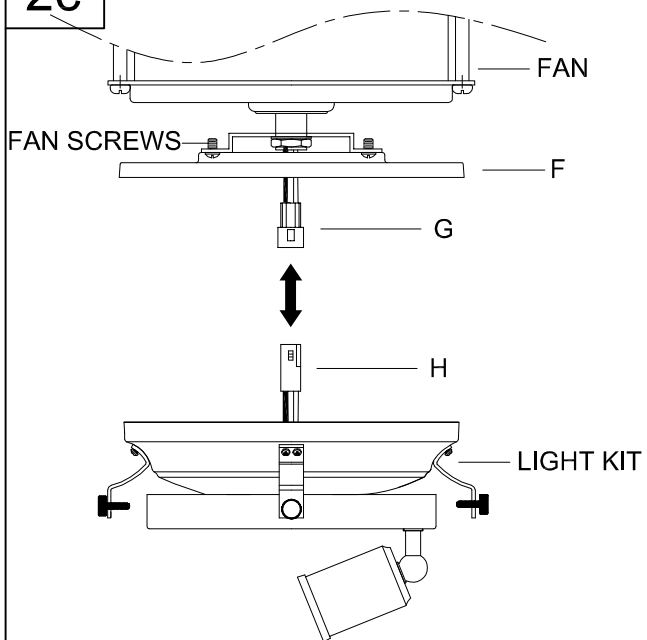
X4

2b



2b. Use the three fan screws removed in step 1b to attach the Light Kit Pan (F) to the fan.

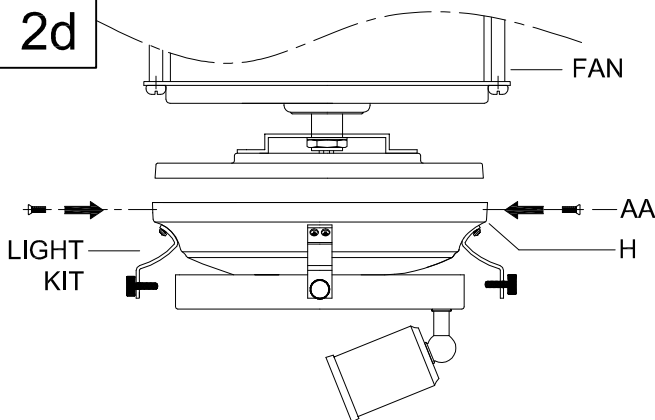
2c



2c. Connect the Fan Wire Connector (G) to the Light Kit Wire Connector (H).

ASSEMBLY INSTRUCTIONS

2d



2d. Use Screws (AA) to attach the Light kit Housing (H) onto the Light Kit Pan (F).

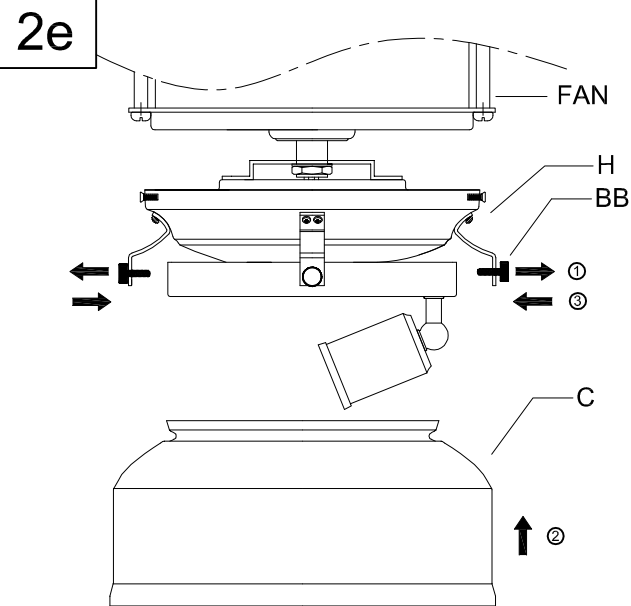
(AA)



Screws

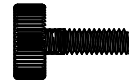
X4

2e



2e. Loosen Thumb Screws (BB), then slide the Glass Shade (C) onto the Light Kit Housing (H). Tighten the Thumb Screws (BB) until the Glass Shade (C) is firmly secured to the Light Kit Housing (H).

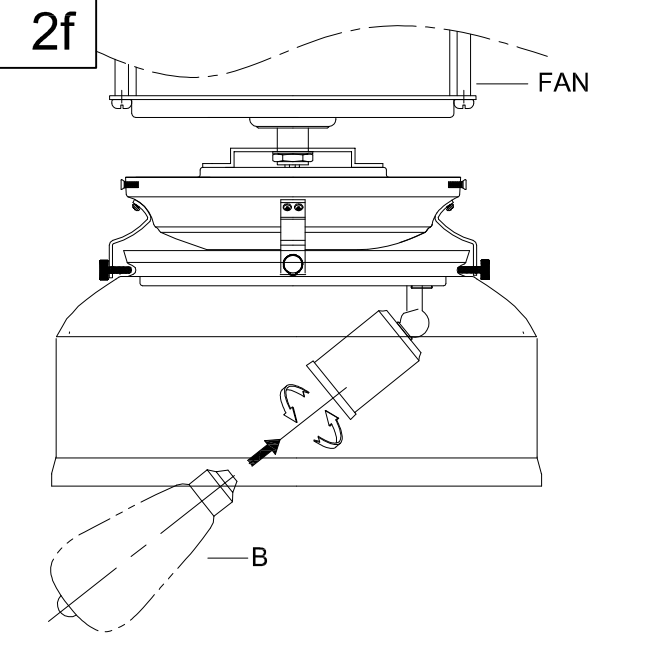
(BB)



Thumb Screws

X4

2f



2f. Screw Lamps (B) into the lamp sockets. Make sure the Lamps (B) do not exceed the maximum wattage specified on the fixture's wattage rating label.

Instructions d'Assemblage et Installation

MISE EN GARDE: Lire les instructions avec soin et couper le courant au disjoncteur central avant de commencer l'installation.

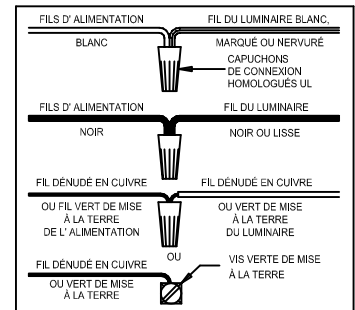
MISE EN GARDE: Lire les instructions avec soin et couper le courant au disjoncteur central avant de commencer l'installation.

MISE EN GARDE: Risque d'incendie. Min 90°C conducteurs d'alimentation. Consulter un électricien qualifié pour assurer le bon conducteur de circuit de dérivation.

AVERTISSEMENT - S'il y a d'autres mécanismes régulateurs qui s'emploient avec ce dispositif, suivre soigneusement les instructions pour satisfaire aux exigences NEC. Si vous avez des questions, consulter un électricien qualifié.

MISE EN GARDE - Le verre est toujours fragile; maniez le(s) composant(s) et/ou l' (les) ampoule(s) avec prudence.

CE PRODUIT DOIT ÊTRE INSTALLÉ SELON LE CODE D'INSTALLATION PERTINENT, PAR UNE PERSONNE QUI CONNAÎT BIEN LE PRODUIT ET SON FONCTIONNEMENT AINSI QUE LES RISQUES INHÉRENTS.
CONSERVEZ CES INSTRUCTIONS D'INSTALLATION



Instrucciones de ensamblaje e instalación

PRECAUCIÓN: Lea cuidadosamente las instrucciones y desconecte la electricidad del cortacircuitos principal antes de iniciar la instalación.

PRECAUCIÓN: Lea cuidadosamente las instrucciones y desconecte la electricidad del cortacircuitos principal antes de iniciar la instalación.

PRECAUCIÓN: Riesgo de fuego. Min. 90°C los cables de suministro. Consulte a un electricista calificado para asegurarse de que el conductor del circuito derivado correcto.

ADVERTENCIA - Si usa algún dispositivo especial de control con este aparato de luz, siga las instrucciones cuidadosamente para asegurar la completa conformidad con los requisitos N.E.C. Si existe alguna duda, contacte un electricista calificado.

PRECAUCION - El vidrio es frágil; tenga cuidado al manipular el (los) elemento(s) de vidrio y/o la(s) bombilla(s).
ESTE PRODUCTOR DEBE SER INSTALADO SEGUN EL CODIGO DE INSTALACION APLICABLE POR UNA PERSONA QUE CONOZCA LA CONSTUSSION Y EL FUNCIONAMIENTO DEL PRODUCTO Y LOS RIESGOS QUE SUPONE.
GUARDE ESTAS INSTRUCCIONES DE INSTALACIÓN

