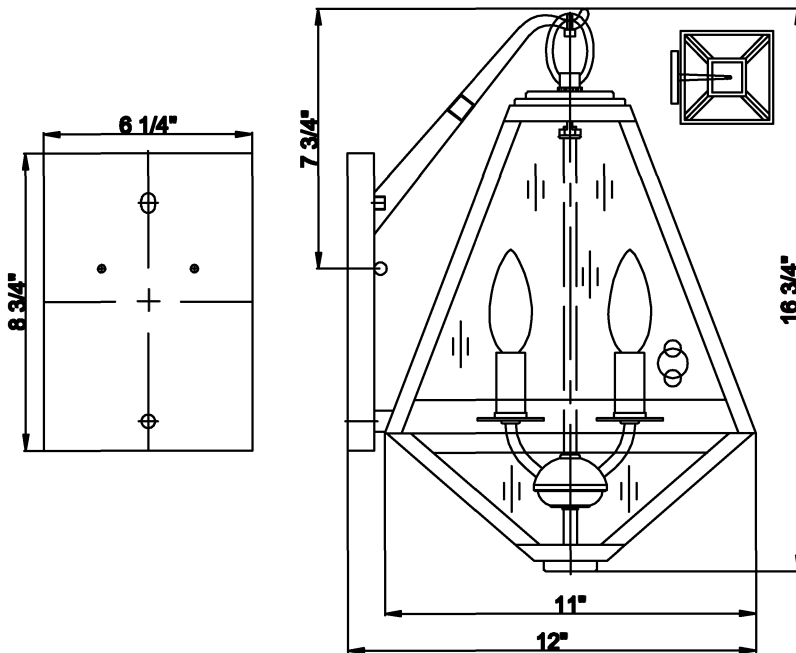


CRYSTORAMA



LIGHTING THE WAY FOR SIXTY YEARS

ASSEMBLY INSTRUCTION MODEL# GLA-9722-WT-BC



All electrical components must be installed by a licensed electrician in accordance with the National Electric Code and the appropriate local electrical codes.



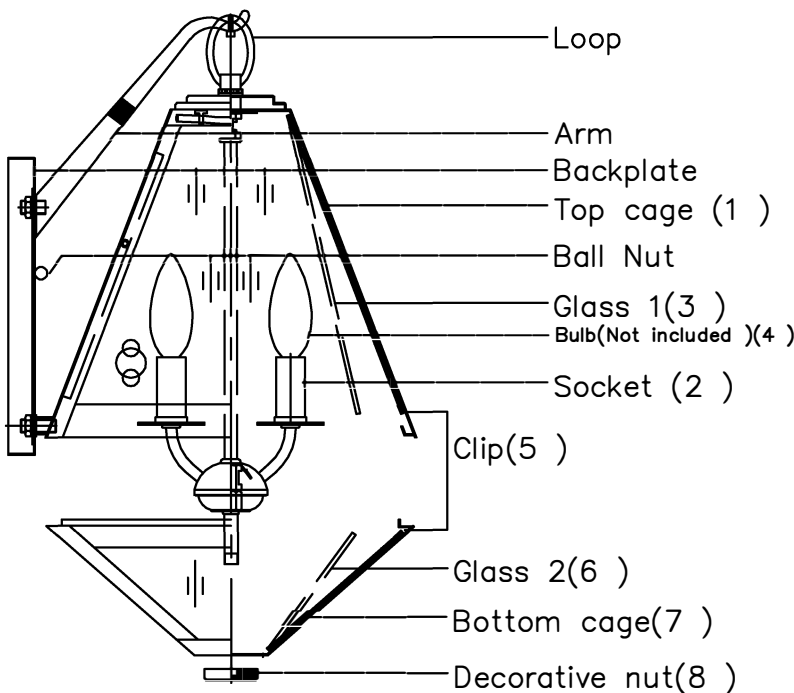
You will need 2 - Cand.Bulb

40 Watts Recommended

60 Watts Max

USE LED BULBS FOR EXTENDED USE

California T24 JA8-2016 Qualified: Satco (S9618); 5 watt LED Medium Base recommended. Bulb not included



How to Install

- To install glass panels, separate the Bottom Cage (7) and the Top Cage (1), by removing the Decorative Nut (8).
- Bend glass Clip (5) and slide Glass #1(3) into the Top Cage (1) and Glass # 2(6) into the Bottom Cage (7).
- Bend glass Clip (5) to secure Glass # 1(3) and Glass # 2(6)
- Install the bulb (4) to the socket (2).
- Connect the Bottom Cage (7) and the Top Cage (1), by screwing in Decorative Nut (8) to secure cage.
- The backplate of the fixture can now be mounted to the wall.

Replacement Glass Installation:

- Follow instructions # 1 through # 3 above to install new glass. Complete by connecting the Bottom Cage (7) and the Top Cage (1) by screwing in Decorative Nut (8) to secure cage.

Bulb replacement:

- Separate the Bottom Cage (7) and the Top Cage (1), by removing Decorative Nut (8).
- Install the bulb (4) into the socket
- Complete by connecting the Bottom Cage (7) and the Top Cage (1) by screwing in Decorative Nut (8) to secure cage.



WARNING: This product can expose you to Lead, which is known to the State of California to cause cancer and/or birth defects or reproductive harm. For more information go to www.P65Warnings.ca.gov

CRYSTORAMA

LIGHTING THE WAY FOR SIXTY YEARS

ASSEMBLY INSTRUCTION MODEL# GLA-9722-WT-BC

Part Number

Part Numbers

- A. (1)–Mounting hardware
- B. (1)–Loop; (XN09701 BCL00)
- C. (1)–Arm
- D. (1)–Backplate; W6.25"XH8.75"
- E. (1)–Top cage
- F. (2)–Ball Nut; (XN09722BCBANUT)
- G. (4)–Glass 1; (3.07+9.84)X9.33IN; (XN09722WTGLA9.5IN)
- H. (2)–Bulb (Not included)
- I. (2)–Candle sleeves; $\phi 0.75 \times 2"$; (XN09702BCCDL2IN)
- J. (4)–Glass 2; (1.8+9.76)X5.12IN; (XN09722WTGLA9.5IN)
- K. (1)–Bottom cage
- L. (1)–Decorative nut; $\phi 40 \times 8\text{mm}$; (XN09701BCFIN)

