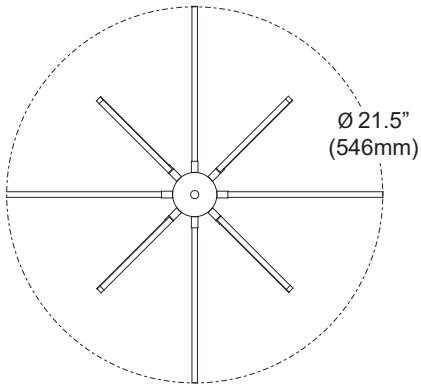
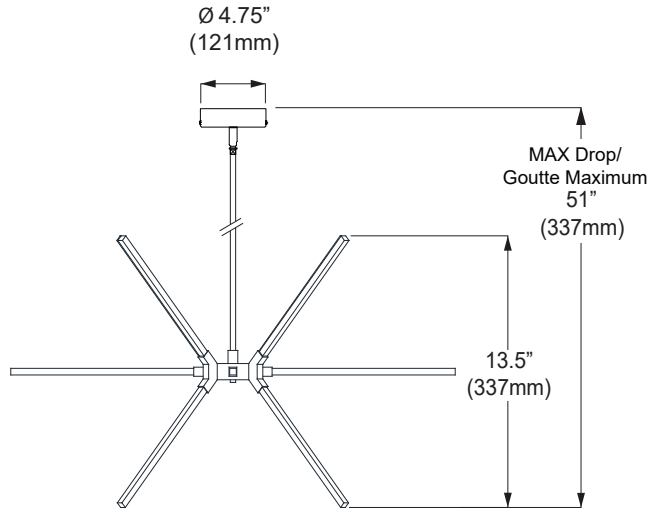


# ARY-2032LEDC



Top View



Side View