

Please go to [www.quoise.com](http://www.quoise.com) for product cleaning tips. Go to the **Care + Maintenance** selection.

**Tools Required:** Flathead screwdriver, Phillips screwdriver, pliers, wire cutters, wire strippers, electrical tape, safety glasses.

**Light Source:** (3) B10 Candelabra Base Bulbs 40W Maximum, bulbs not included.

**Estimated Assembly Time:** 20-30 minutes

**Preparation:** Identify and inspect all parts before beginning installation. Check package content list and diagrams below to ensure all parts are present. If any parts are missing or damaged, do not attempt to assemble, install, or operate the fixture. Contact your original place of purchase.

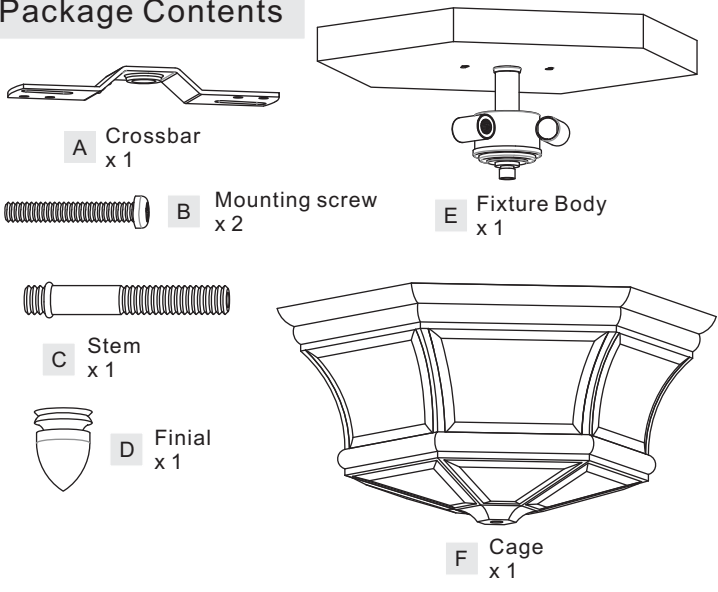
**⚠ Warnings and Cautions**

Turn off electricity at circuit breaker or main fuse box before installation. Consult a licensed electrician if in doubt.

These instructions are provided for your safety. It is very important you read them completely before installing the fixture. We strongly recommend that a licensed, professional electrician perform the installation.

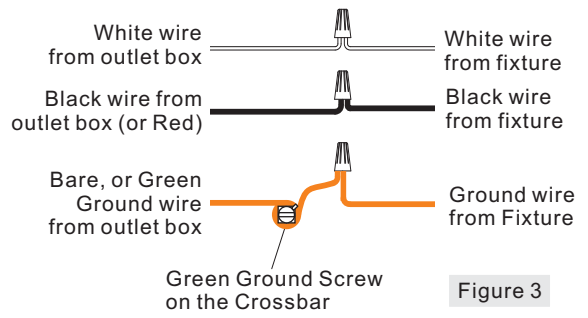
Disconnect fixture from power source before replacing bulbs. Make sure bulbs are given sufficient time to cool before removal.

**Package Contents**



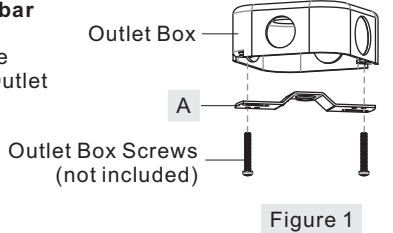
**STEP 3- Wire Connections**

- A. Wrap bare or green ground wire around green ground screw on the crossbar, no less than 2 inches from the end of the wire. Tighten the green ground screw.
- B. Use standard wire connectors (not included) to make all wire connections. Twist connectors until wires are tightly joined together. Wrap each connection with approved electrical tape and carefully stuff all the connected wires into the Outlet Box.



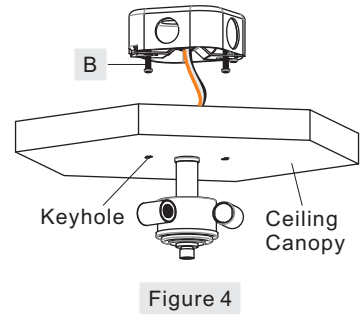
**STEP 1 - Installing the Crossbar**

- A. Attach the Crossbar (A) to the Outlet Box and secure with Outlet Box Screws (not included). Tighten until snug.



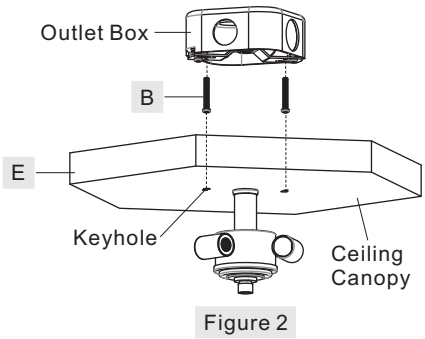
**STEP 4 - Install Ceiling Canopy to Mounting Screws**

- A. Place the Keyholes on the ceiling canopy over the mounting screws (B) and then rotate the ceiling canopy and Fixture Body (E) until it is secure to the mounting screws (B).



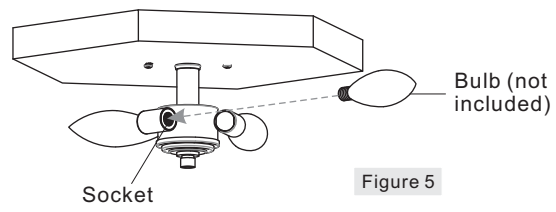
**STEP 2 - Install Mounting Screws**

- A. Screw the Mounting Screws (B) into the mounting holes on the Crossbar (A), which aligns to the keyholes on the ceiling canopy. Leave proper length of the Mounting Screws (B) to mount the ceiling canopy and Fixture Body (E). To achieve this length, you need attach the ceiling canopy and Fixture Body (E) over the Mounting Screws (B) and adjust the Mounting Screws (B) accordingly.



**STEP 5 - Install Bulbs**

- A. Insert bulbs onto sockets and screw snugly into place.



**STEP 6 - Install the Cage**

- A. Screw the beaded end of the Stem (C) into the coupling on the bottom center of the Fixture Body (E). Hand tighten until snug.
- B. Pass the Cage (F) over the end of the Stem (C) and secure with the Finial (D). Hand tighten until snug.

Your fixture is now assembled and ready to use. Enjoy!

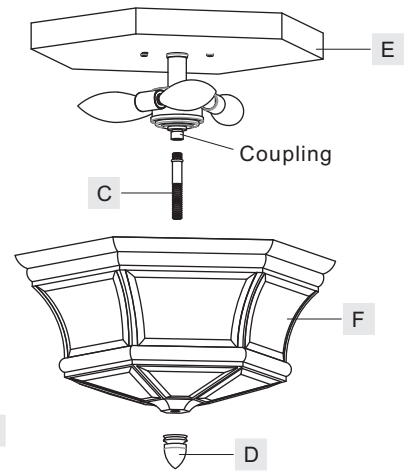


Figure 6

NY1794Z

FINISH: MEDICI BRONZE

NOTE: ALL DIMENSIONS ARE ROUNDED UP TO THE NEAREST 1/4"

