

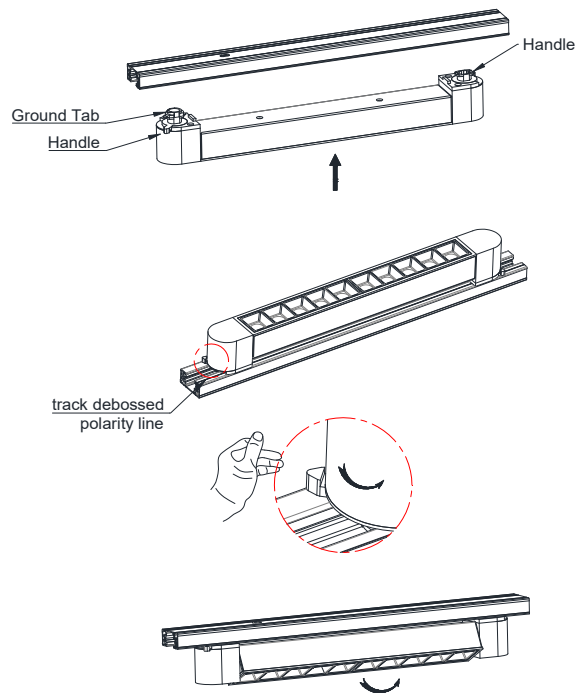
INSTALLATION INSTRUCTION OF HT-812S, HT-812M, HT-812L

Turn off switch at main power source before installing any track fixture.

1. Insert both adapter ends of this fixture into the slot of the track.
2. Rotate the handles at both ends to adjust the fixture to completely fit into and lock the track.

NOTE: Ground tab of one of the adaptors must point to track debossed polarity line when installed. If the handle does not turn freely, do not force ! Instead, turn in opposite direction.

3. Rotate the body of the fixture to desired beam angle.
4. To remove, rotate both handles 90 degree.



SAVE THESE INSTRUCTIONS