

Please go to www.quoizel.com for product cleaning tips. Go to the **Care + Maintenance** selection.

Tools Required: Flathead screwdriver, Phillips screwdriver, pliers, wire cutters, wire strippers, electrical tape, safety glasses.

Light Source: (6) B10 Candelabra Base bulbs 60W Maximum, bulb not included.

Fixture Hanging Height: Minimum Hanging Height is 25.25", Maximum Hanging Height is 61.25".

Estimated Assembly Time: 30-45 minutes

Preparation: Identify and inspect all parts before beginning installation. Check package content list and diagrams below to ensure all parts are present. If any parts are missing or damaged, do not attempt to assemble, install, or operate the fixture. Missing Parts? Contact your original place of purchase.

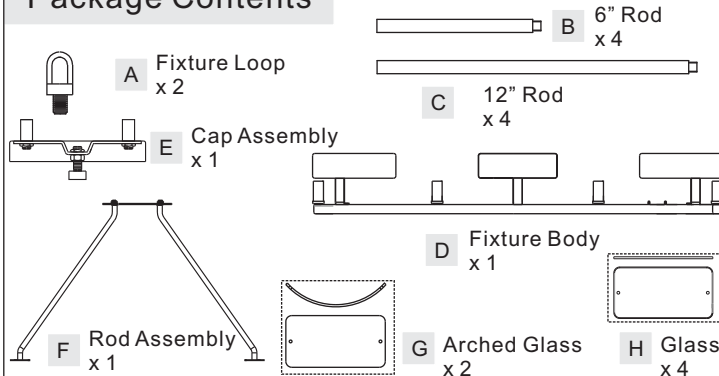
⚠ Warnings and Cautions

Turn off electricity at circuit breaker or main fuse box before installation. Consult a licensed electrician if in doubt.

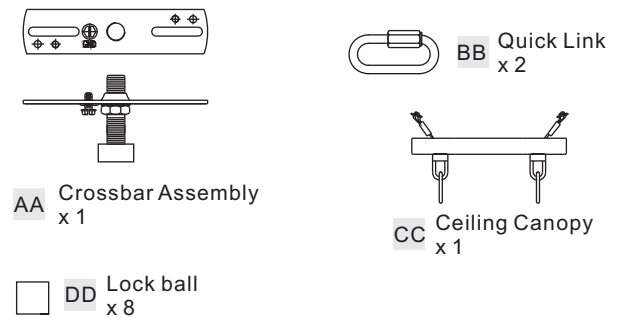
These instructions are provided for your safety. It is very important you read them completely before installing the fixture. We strongly recommend that a licensed, professional electrician perform the installation.

Disconnect fixture from power source before replacing bulbs. Make sure bulbs are given sufficient time to cool before removal.

Package Contents

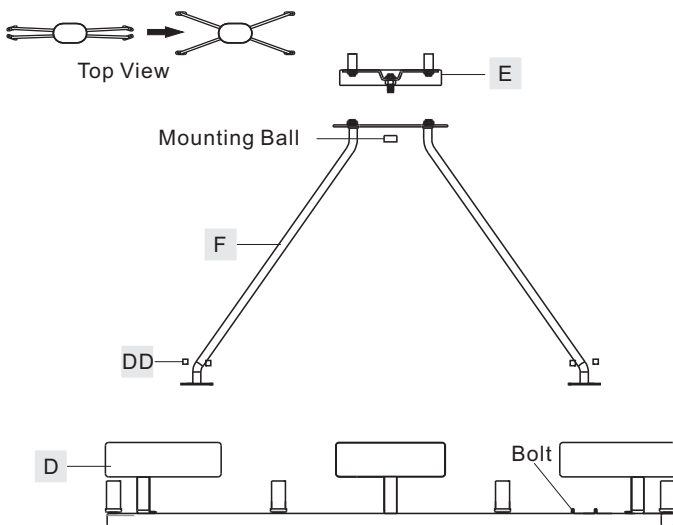


Hardware Contents



STEP 1 – Install Cap Assembly and Rod Assembly to Fixture Body

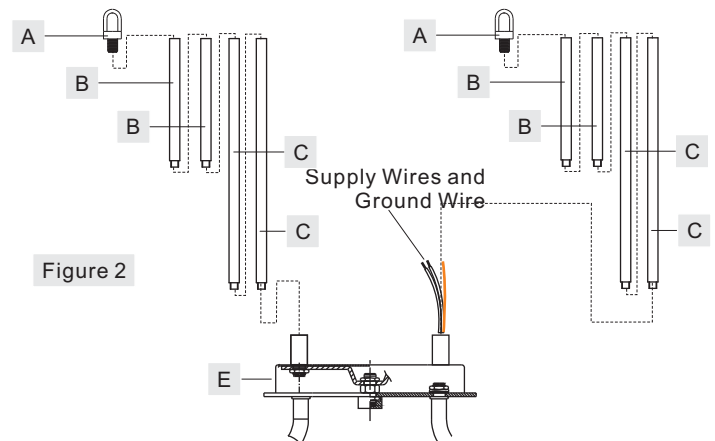
- Unfold support arms on Rod Assembly (F) to proper locations.
- Attach the Tabs at the ends of the Rod Assembly (F) onto the bolt of the Fixture Body (D), Secure it with Lock balls (DD), tighten until snug.
- Remove the Mounting Ball from the Cap Assembly (E). Fit the Cap Assembly (E) to the Rod Assembly (F) and secure with Mounting Ball.



STEP 2 – Install Fixture Loop and Rods to Fixture Body

- Determine the Rods (B/C) to be assembled to the Fixture Body (D) according to your hanging height.
- Pass the supply wires and ground wire through the chosen rods (B/C) and the Fixture Loop (A). Thread the Fixture Body (D), the chosen Rods (B/C) and the Fixture Loop (A) together. Hand tighten until snug.

Suggested rods for Ceiling height :
8' ceiling : use (2) 12" rod
9' ceiling : use (4) 12" rods
10' ceiling : use (4) 6" rods and (4) 12" rods



STEP 3 – Install the Crossbar Assembly to Outlet Box and Adjust the length of the Nipple

- Attach the Crossbar Assembly (A) to the Outlet Box with the head of the Green Ground Screw facing you. Secure it with Outlet Box Screws (not included), tighten until snug.
- Adjust the hex nut and lock washer underside of the crossbar to the middle of the nipple.
- Remove the Lock Ball and Hex Nut from the Nipple. Place the Ceiling Canopy (CC) over the Nipple against the ceiling to determine the correct position of the nipple. Thread the Finial onto the Nipple. Adjust the nipple to allow the Ceiling Canopy (CC) to rest against the ceiling when held in place by the Lock Ball.
- Remove the Lock Ball and the Ceiling Canopy (CC). Tighten the lock washer and the hex nut against the crossbar to secure in place.

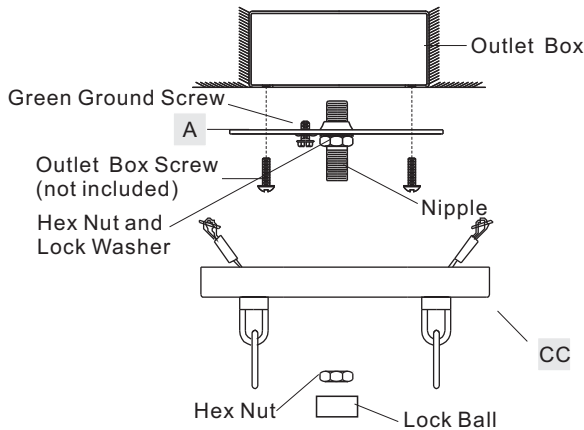
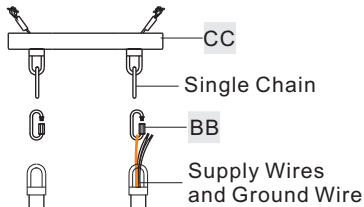


Figure 3

STEP 4 – Install Ceiling Canopy to Upper Rod

- Pull the supply wires and ground wire through the Ceiling Canopy (CC). Attach upper rods to single chains underside of the Ceiling Canopy (CC) with two Quick Links (BB) as shown.

Figure 4



STEP 5 - Attach the Lanyard

- The purpose of the lanyard is to provide a means to support the fixture hands free from the junction box while connecting the electrical wires.
- Turn the Button Stop so it may be inserted into a Crossbar slot. Make sure the Button Stop is completely inside the Crossbar. Slowly release the fixture to make sure it is supported by the Button Stop. Proceed to the wiring steps in the next step. Once you are complete with the wiring, the Lanyard will push into the junction box when the fixture is placed for final mounting.

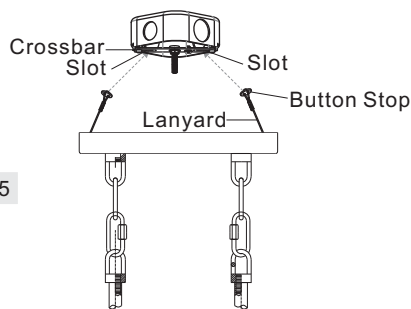


Figure 5

STEP 6 - Making the Wire Connections

- Wrap bare or green ground wire around green ground screw on the crossbar, no less than 2 inches from the end of the wire. Tighten the green ground screw.
- Use standard wire connectors (not included) to make all wire connections. Twist connectors until wires are tightly joined together. Wrap each connection with approved electrical tape and carefully stuff all the connected wires into outlet box.

Note: If the electrical wire is going to be cut shorter than provided you will need to identify the "L" line wire and the "N" neutral wire before you cut the excess wire off. One is labeled N and the other labeled L. To do this separate the "L" line wire and the "N" neutral wire as far as you need to. Re-label the wire near where you want to make the cut. Be sure to mark the wire on the side of the fixture and not on the excess wire being cut and removed.

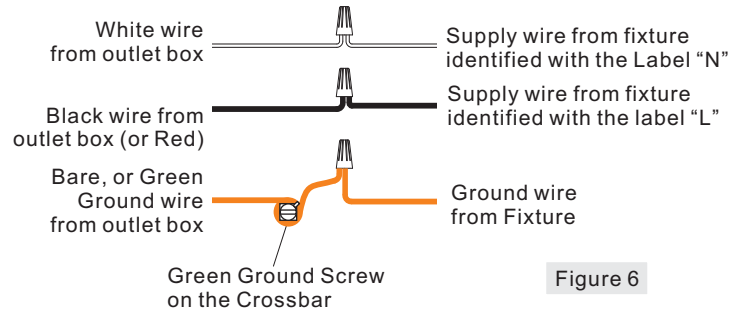


Figure 6

STEP 7 – Install Ceiling Canopy to Crossbar

- Attach the Ceiling Canopy (CC) over the end of the Nipple and secure with the Hex Nut. Hand tighten until snug.
- Thread the Lock Ball onto the Nipple and hand tighten until snug.

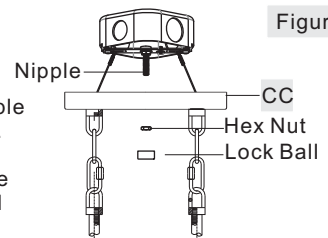


Figure 7

STEP 8 – Install the Glass and the Bulb

- Remove the Mounting Ball and the rubber washer from the Fixture Body (D). Fit the Glass (G/H) and the rubber washer to the Bolt of the Fixture Body (D) and secure with Mounting Ball.
- Insert the bulb onto the socket and screw snugly into place.

Your fixture is now assembled and ready to use. Enjoy!

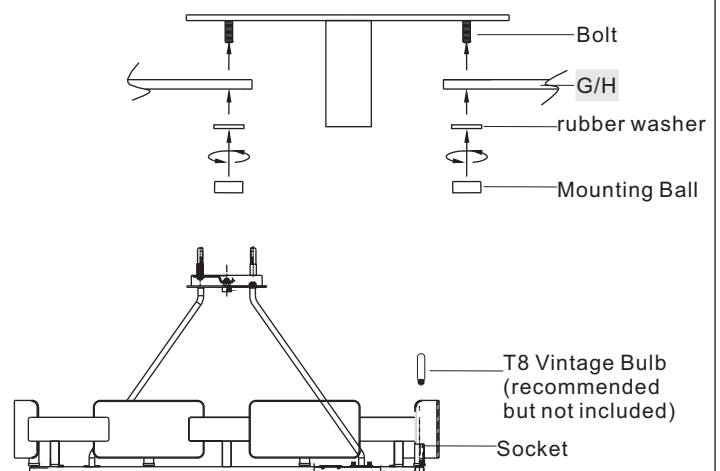
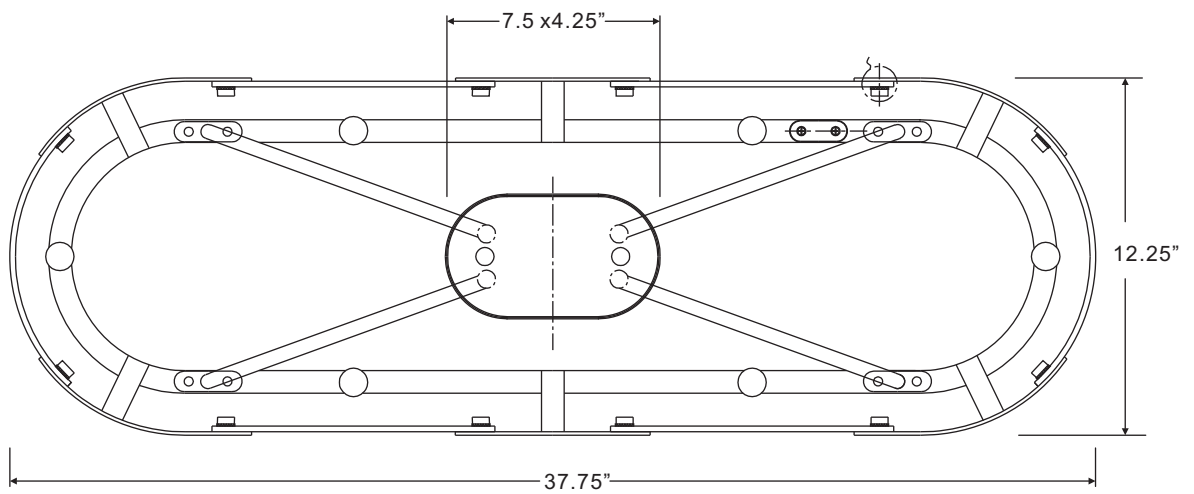
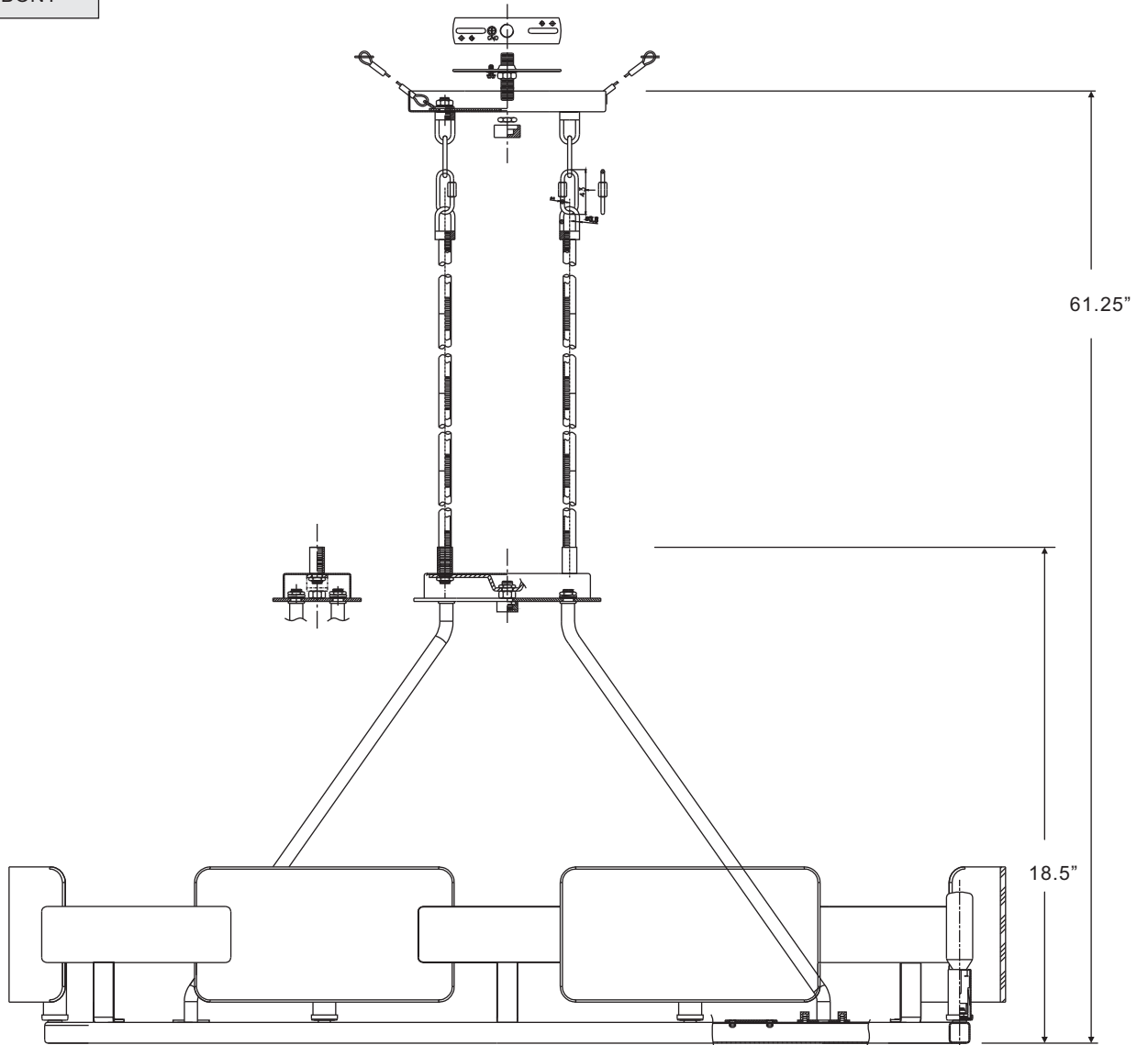


Figure 8

STM638BA

FINISH: ROYAL EBONY



NOTE: ALL DIMENSIONS ARE ROUNDED UP TO THE NEAREST 1/4"