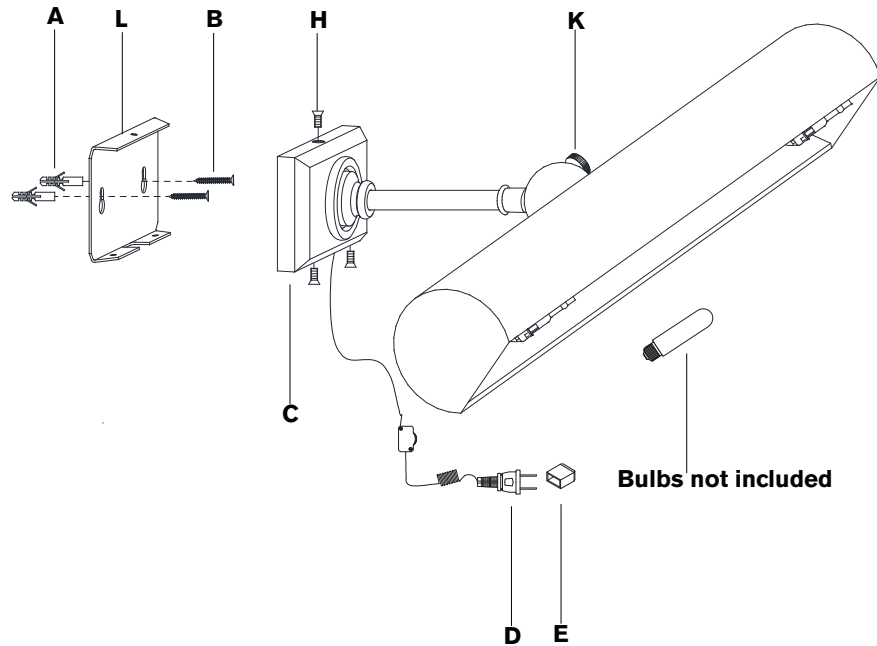


ASSEMBLY INSTRUCTIONS

Portable assembly



8" Cabinet Maker's Picture Light

Item # SL 2704

NOTICE:

This light fixture should be installed in accordance with all applicable, local installation codes, and by a person familiar with the construction and operation of it, as well as the hazards involved. Inspect item and contents carefully. If any damage or defect is found, do not install. Retain all packaging material until installation is complete and approved.

TOOLS REQUIRED (NOT INCLUDED):

Phillips Screwdriver

Slotted Screwdriver

Drill

Hammer

Pencil

1. Carefully remove all parts from the box. Place on a clean, soft surface.
2. Remove portable mounting plate (**L**) from fixture body (**C**) by removing screws (**H**).
3. Using portable mounting plate (**L**) as a guide, mark anchor positions.
4. Using a drill bit slightly smaller than the anchor, drill holes in the marked positions. Install anchors (**A**) into the holes using hammer.
5. Install portable mounting plate (**L**) to wall anchors using wood screws (**B**), then secure fixture body (**C**) to portable mounting plate (**L**) using screws (**H**).
6. Insert light bulbs into the sockets.
7. To adjust fixture shade loosen adjustment knob (**K**), adjust to desired position, then tighten knob (**K**).
8. Remove protective plug cover (**E**) from plug (**D**).
9. Plug into a proper electrical outlet and test the fixture.

Care Instructions: Clean only with a soft dry cloth or feather duster. Do not use abrasive or chemical agents.

ASSEMBLY INSTRUCTIONS

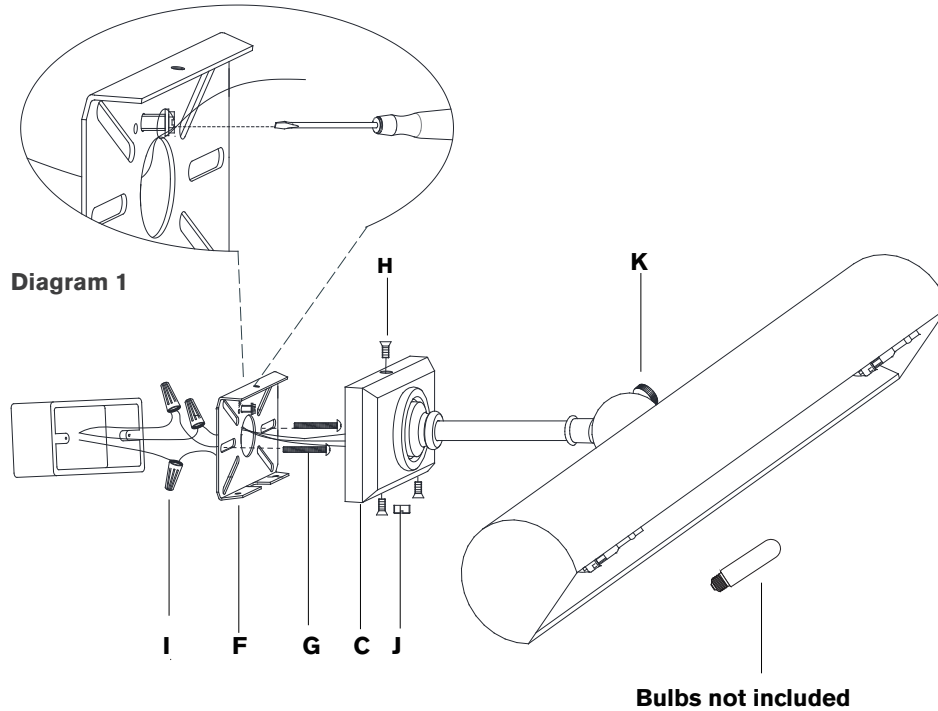
8" Cabinet Maker's Picture Light

Item # SL 2704

NOTICE:

This light fixture should be installed in accordance with all applicable, local installation codes, and by a person familiar with the construction and operation of it, as well as the hazards involved. Inspect item and contents carefully. If any damage or defect is found, do not install. Retain all packaging material until installation is complete and approved.

Hardwire assembly



10. Install fixture body **(C)** to hardwire mounting plate **(F)** and secure with screws **(H)**.
11. Insert light bulbs into the sockets.
12. To adjust fixture shade loosen adjustment knob **(K)**, adjust to desired position, then tighten knob **(K)**.

Care Instructions: Clean only with a soft dry cloth or feather duster. Do not use abrasive or chemical agents.