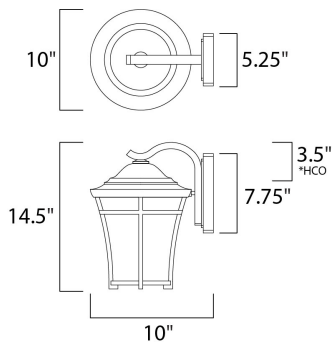




**PRODUCT DESCRIPTION**

This transitional design in Die Cast aluminum has a remarkable price point. Finished in Copper Oxide with a hand painted Lace glass and two lamping options of both fluorescent and incandescent versions available. Adds additional energy savings and long life.



**MEASUREMENTS**

DIMENSION : 10" W x 14.5" H x 12.25" Ext  
 BACK PLATE : 5.25" W x 7.75" H x 3.5" HCO  
 HANGING WEIGHT : 4.4 lb

**LAMPING**

INPUT VOLTAGE : 120V  
 LUMENS : 0 Rated  
 BULB : 1 x 60W Incandescent E26 Medium , 60W Total  
 BULB INCLUDED : (Not Included)  
 DIMMABLE : Yes

\*height from center of outlet to the top of the fixture

**FINISHES OPTION**

 Copper Oxide

**GLASS**

Lace LA

**MATERIAL**

Aluminum, Glass

**RATINGS**

cETLus  
 Wet Location



**ADDITIONAL**

OPERATING TEMPERATURE:  
 -20°C (-4°F), 40°C (104°F)

Always consult a qualified electrician before installing any lighting product.



**WESTERN DISTRIBUTION CENTER (HEADQUARTER)**  
 253 NORTH VINELAND AVE | CITY OF INDUSTRY, CA 91746

**EASTERN DISTRIBUTION CENTER**  
 4200 SHIRLEY DR. | ATLANTA, GA 30336

P. 626.956.4200 | F. 626.956.4225 | maximlighting.com