

shown in Brushed Brass  
with 52" Walnut blades



# Irene-3HLK

*Designed in 2016*

The Irene-3HLK ceiling-mount fan is rustic, yet strikingly modern with three neatly joined, solid wood matte black, matte white, walnut, or barn wood tone blades. A cylindrical motor housing complements its minimal profile. Irene-3HLK is streamline while still appearing warm and natural. Constructed of cast aluminum and heavy stamped steel, the Irene-3HLK has a limited lifetime warranty.

## Product Features



DC  
Motor



Damp  
Location



Silent



LED  
Lamp



Dimmable  
Lamp



Remote  
Control



Wall  
Control



shown in Gloss White with 60" Matte White blades



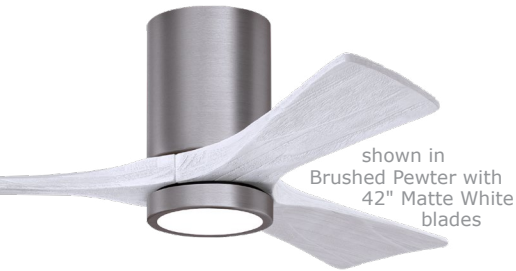
shown in Matte Black with 52" Matte Black blades



shown in Brushed Nickel with 52" Barn Wood blades



shown in Textured Bronze with 60" Walnut blades



shown in Brushed Pewter with 42" Matte White blades



shown in Brushed Bronze with 52" Barn Wood blades



shown in Walnut with 42" Walnut blades



shown in Light Maple with 42" Walnut blades



shown in Polished Chrome with 42" Matte Black blades



shown in Barn Wood with 42" Barn Wood blades

# IRENE-3HLK

## FINISH AND BLADE OPTIONS

SKU#	IR3HLK-XXXX-XXX-XX (Model+Finish+Blade+Diameter)	
Standard Finishes	Barn Wood	BW
	Brushed Brass	BRBR
	Brushed Bronze	BB
	Brushed Nickel	BN
	Brushed Pewter	BP
	Light Maple	LM
	Gloss White	WH
	Matte Black	BK
	Polished Chrome	CR
	Textured Bronze	TB
	Walnut	WN
Blade Finishes	Barn Wood Tone	BW
	Matte Black	BK
	Matte White	MWH
	Walnut Tone	WA
Fan Diameter	42 inches / 107 cm	42
	52 inches / 132 cm	52
	60 inches / 152 cm	60

## TECHNICAL SPECS

Fan Diameter	inches: 42, 52 or 60 centimeters: 107, 132 or 152
Blade Material	CNC Cut Solid Wood
Overall Drop	12 inches / 30 cm
Fan Weight	12 lbs
Voltage	110 or 220
Motor Type	DC
Environment	Damp locations for all finishes. Neither coastal, saltwater nor chlorine compatible.
Ambience	Silent
Safety Certification	ETL / CETL
Warranty	Limited Lifetime

## NEW JAN 21, 2020 DOE MOTOR EFFICIENCY DATA

Fan Diameter	42 inch / 107 cm	52 inch / 132 cm	60 inch / 152 cm
RPM (Low/High)	50 / 232	51 / 212	51 / 152
CFM (Low/High)	701 / 3573	1057 / 5047	1783 / 5878
Watts (High)	17.61	32.49	30.81
CFM/Watt (High)	168	149	191
Blade Pitch	15°	15°	15°

## LIGHT KIT PHOTOMETRICS

Lamping (Replaceable)	Integrated LED
Remote Dimmable	Yes
Delivered Temperature in K	3075
Delivered Lumens	690
CRI	90
Watts	16
Hours	60,000

Light kit longevity if used 6 Hours/Day: 27.4 Years

## STANDARD EQUIPMENT

### Light Cover

Black 6-speed RF remote control with reverse



White wireless Decora-style, 6-speed, wall control with reverse



NOTE: Only compatible with included controllers.

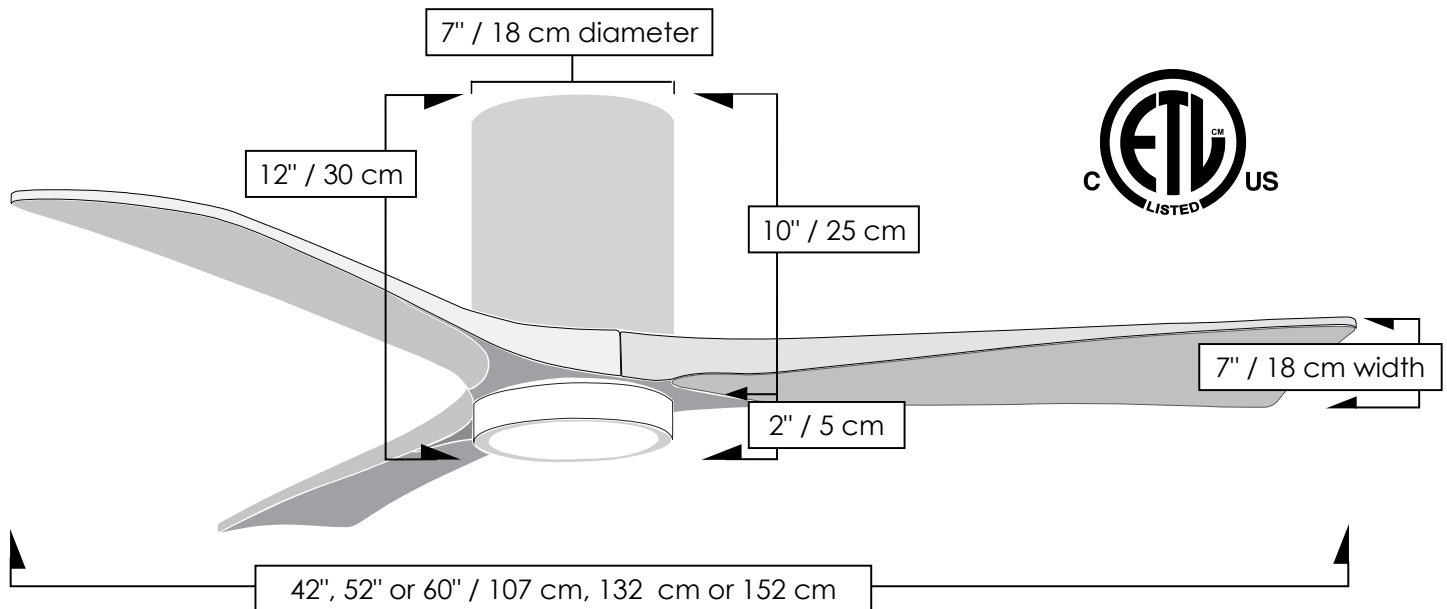
## Blade Options





# Irene-3HLK

## TECHNICAL SPECIFICATIONS



### CEILING PITCH TABLE

0/12	0 degrees
1/12	4.76 degrees
2/12	9.46 degrees
3/12	14.04 degrees
4/12	18.43 degrees
5/12	22.62 degrees
6/12	26.57 degrees
7/12	30.26 degrees
8/12	33.69 degrees
9/12	36.87 degrees
10/12	39.81 degrees
11/12	42.51 degrees

### CEILING HEIGHT TABLE

Suitable for ceiling heights 7'10" or greater

#### Matthews Fan Company

1881 Industrial Drive  
 Libertyville, IL 60048  
 Tele: 847.680.9043  
 Fax: 847.680.8140  
 www.matthewsfanco.com

© 2023 Matthews Fan Company. All rights reserved.

