

SAFETY INFORMATION

Please read and understand this entire manual before attempting to assemble, install or operate the product.

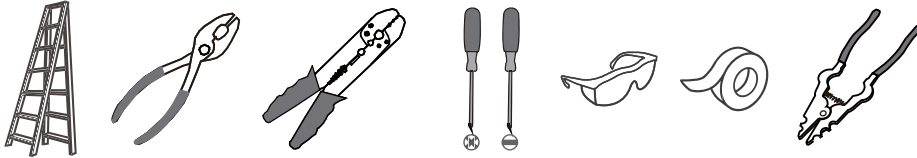
WARNING

- RISK OF ELECTRIC SHOCK - Before beginning installation, turn off electricity at the circuit breaker box or the main fuse box.
- RISK OF FIRE - Use bulbs specified by the markings and/or labels on the fixture.

CAUTION

- For your safety, read instructions completely before beginning installation.
- If in doubt about electrical installation, consult a licensed electrician.
- Turn off electricity to fixture before replacing the bulb(s).

TOOLS REQUIRED

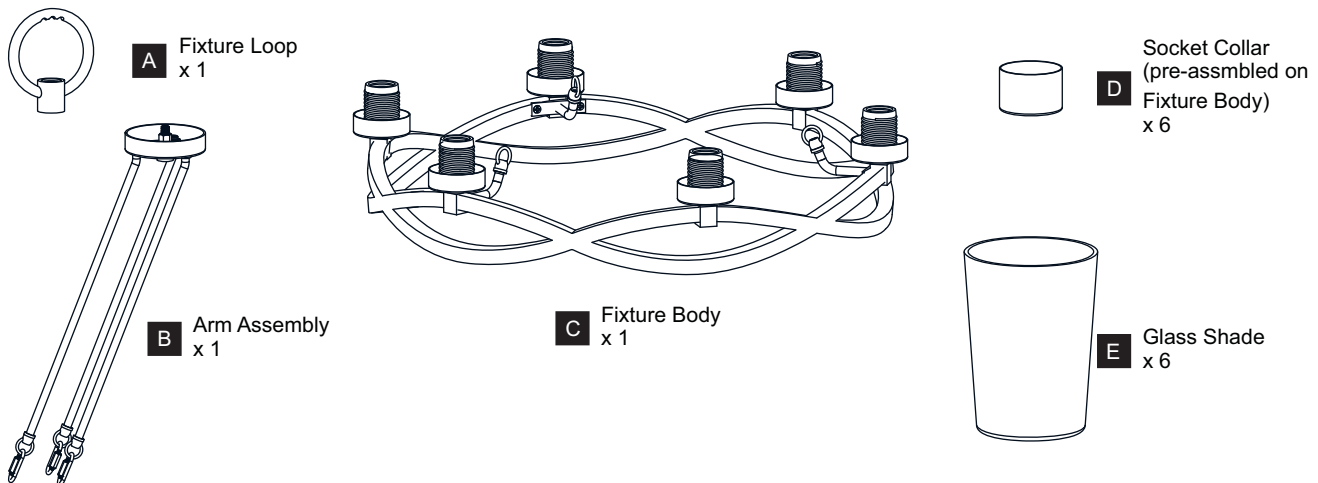


CARE AND MAINTENANCE

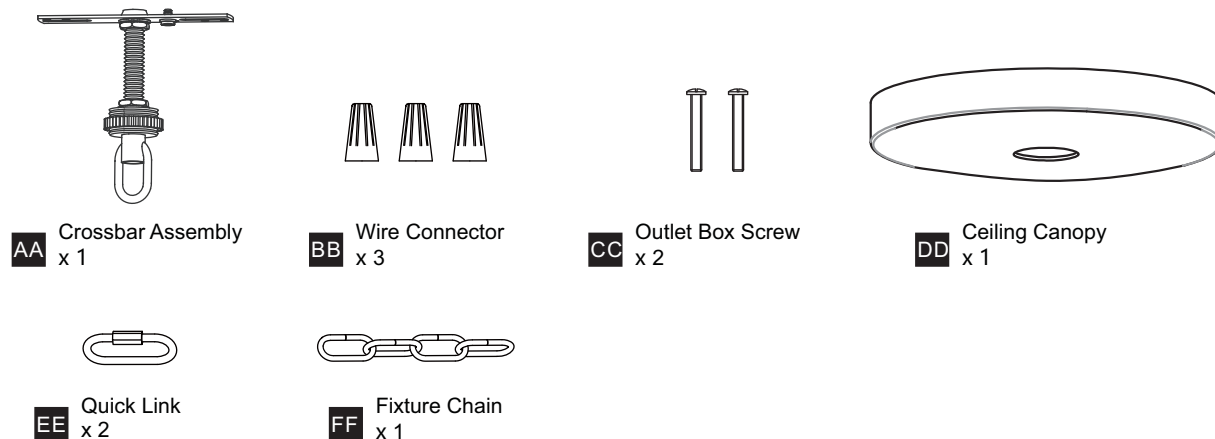
- Wipe clean using soft, dry cloth or static duster. Always avoid using harsh chemicals and abrasives to clean fixture as they may damage the finish.

If you need further assistance call Quoizel Customer Care at 1-800-645-3184 (9:00am - 5:00pm EST), or visit us on-line at www.quoizel.com.

PACKAGE CONTENTS

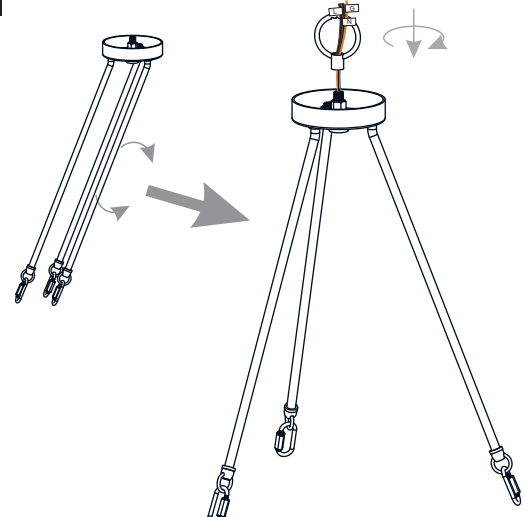


MOUNTING HARDWARE



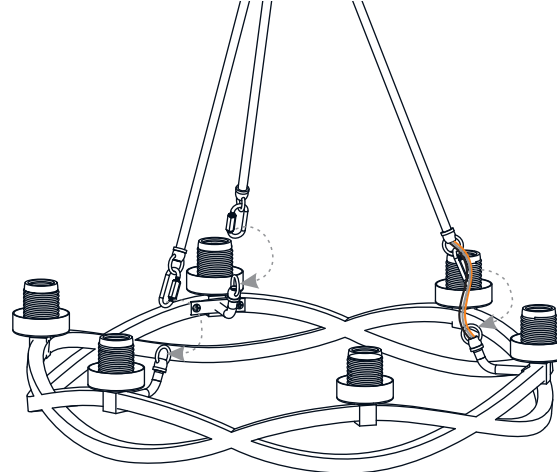
INSTALLATION

1 Unfold Side Arms and Install Fixture Loop



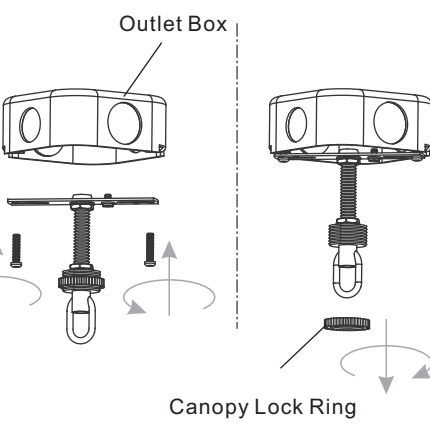
The diagram illustrates the first step of installation. On the left, the three side arms of the fixture are shown in a folded, compact state. An arrow points to the right, where the arms are fully extended and splayed out. A fixture loop is being attached to the top of the fixture body, with a circular arrow indicating its rotation.

2 Install Arm Assembly to Fixture Body



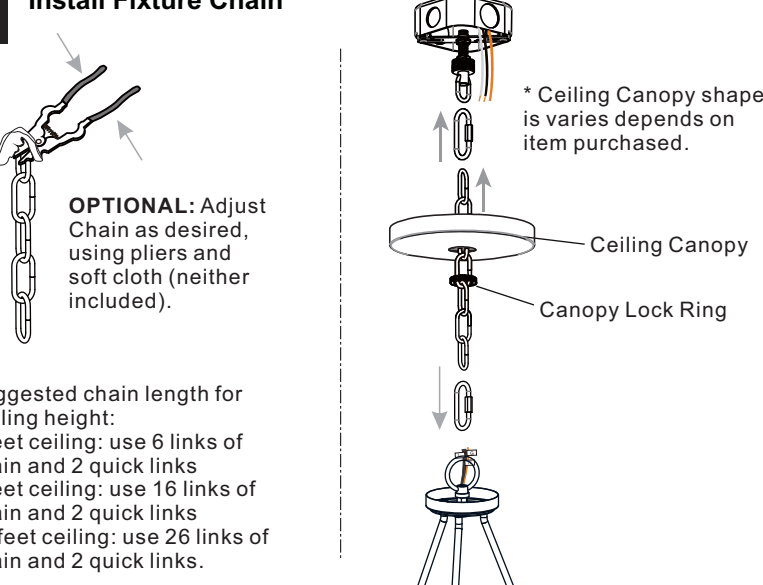
The diagram shows the arm assembly being attached to the fixture body. The arm assembly consists of two long, thin arms that are connected to the fixture body. The fixture body is a circular, ring-like structure with several mounting points. The arms are being attached to these points, and the diagram shows the process of securing them.

3 Install Crossbar Assembly



The diagram illustrates the installation of the crossbar assembly. On the left, the crossbar assembly is shown with an outlet box and a canopy lock ring. The crossbar is being inserted into the outlet box, and the canopy lock ring is being attached to the bottom of the crossbar. The diagram shows the crossbar being rotated and then secured to the canopy lock ring.

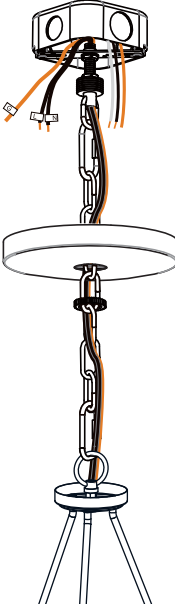
4 Install Fixture Chain



The diagram illustrates the installation of the fixture chain. On the left, a pair of pliers is shown adjusting the chain. The text reads: "OPTIONAL: Adjust Chain as desired, using pliers and soft cloth (neither included)." On the right, the fixture chain is shown being attached to the ceiling canopy and the canopy lock ring. The text reads: "* Ceiling Canopy shape is varies depends on item purchased." and "Ceiling Canopy" and "Canopy Lock Ring".

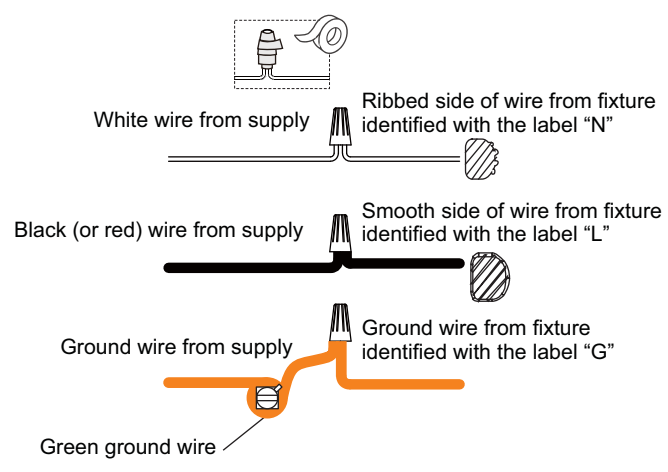
Suggested chain length for Ceiling height:
8 feet ceiling: use 6 links of chain and 2 quick links
9 feet ceiling: use 16 links of chain and 2 quick links
10 feet ceiling: use 26 links of chain and 2 quick links.

5 Pull Supply Wires



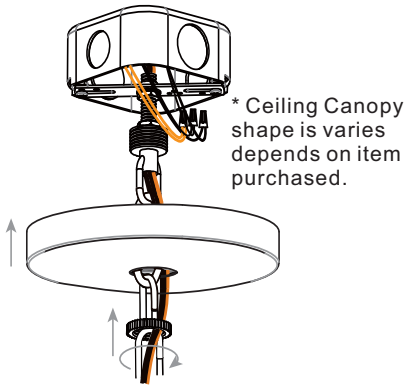
The diagram illustrates the process of pulling the supply wires through the chain alternate links. The supply wires (white, black, and green) are shown being pulled through the chain links. The text reads: "Pull the supply wires with ground wire through the chain alternate links."

6 Wiring



The diagram illustrates the wiring connections for the fixture. It shows the following connections:
White wire from supply connected to the ribbed side of wire from fixture identified with the label "N".
Black (or red) wire from supply connected to the smooth side of wire from fixture identified with the label "L".
Ground wire from supply connected to the green ground wire from fixture identified with the label "G".

7 Install Ceiling Canopy



8 Install Shades and Bulbs

Install six correct bulbs referring to fixture markings and/or labels for maximum wattage.

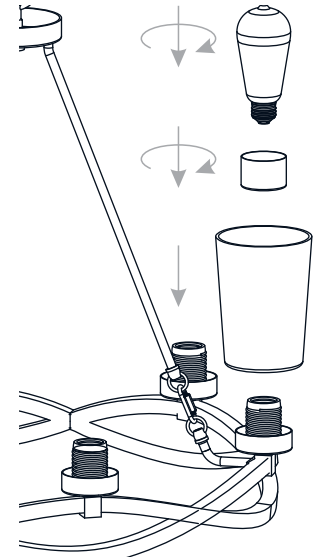
Recommended Bulb Type (not included):



BULB BASE TYPE
Medium (E26)



BULB TYPE
TYPE A



Your installation is now complete! Restore electricity and save this sheet for future reference.