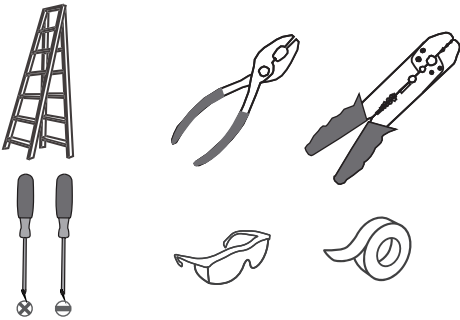
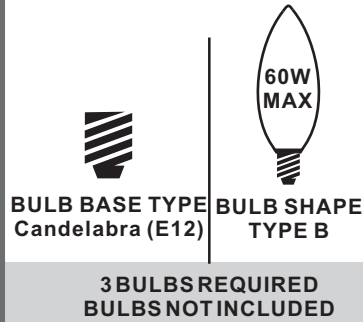


**Tools Required**



**Light Source**



**Warnings and Cautions**

Turn off the electricity at the circuit breaker before installation. Consult a licensed electrician if in doubt about installation.

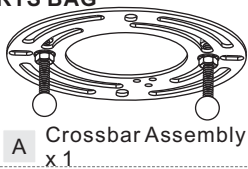
Turn off power to the fixture and allow the bulbs to cool before replacing.

**Package Contents**

**Preparation:** Identify and inspect all parts before beginning the installation.

Missing or damaged parts? Contact your original place of purchase.

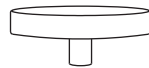
**PARTS BAG**



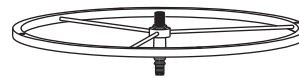
**B** Outlet Box Screw x 2

**C** Wire Connector x 3

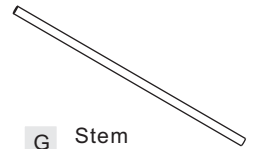
**D** Lock Screw x 4



**E** Ceiling Canopy x 1



**F** Bridge x 1



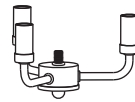
**G** Stem x 4



**H** Centre rod x 1



**I** Ring x 1

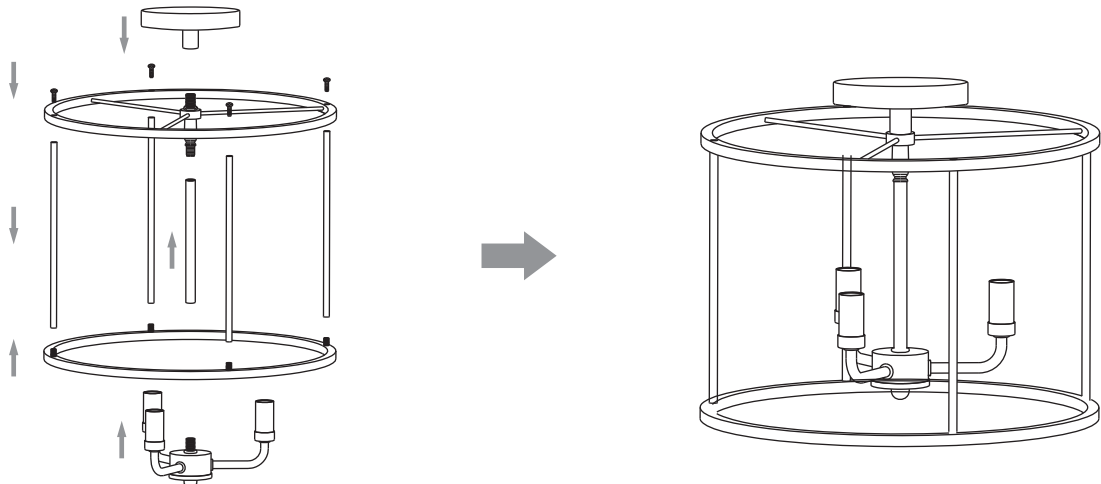


**J** Socket Assembly x 1

**Table of Contents**

Socket Assembly	Crossbar Assembly	Wiring	Ceiling Canopy	Bulb
<b>STEP 1</b>	<b>STEP 2</b>	<b>STEP 3</b>	<b>STEP 4</b>	<b>STEP 5</b>

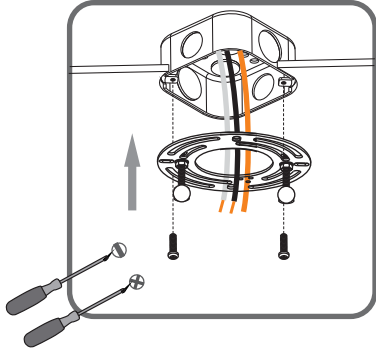
**STEP 1**



## STEP 2

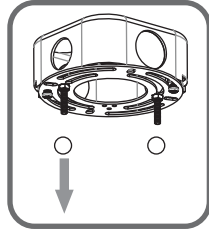
1

Step 1  
Install crossbar assembly

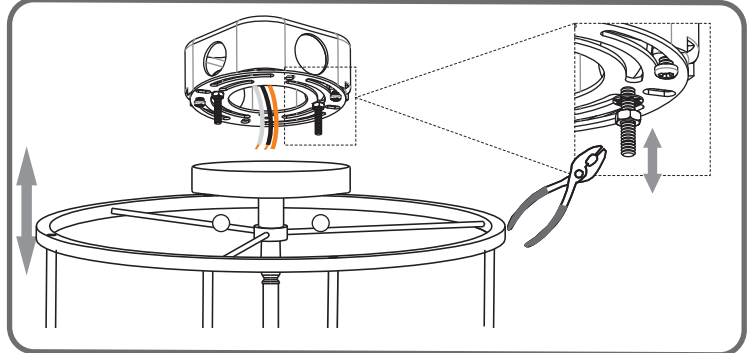


2

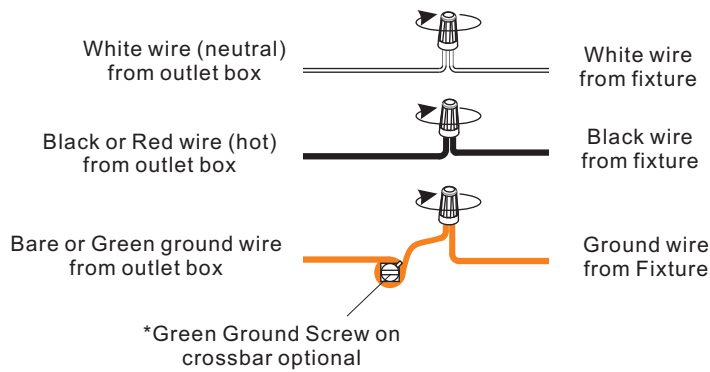
Step 2 - 3  
Test fitting ceiling canopy to  
mounting screws



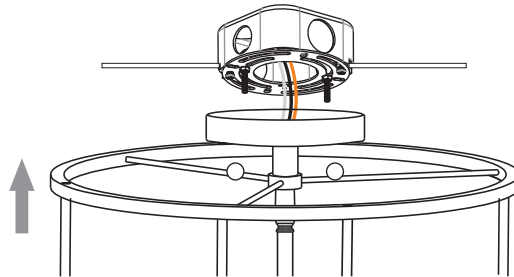
3



## STEP 3



## STEP 4



## STEP 5

