

INSTALLATION INSTRUCTIONS

Model # 73216

READ AND SAVE THESE INSTRUCTIONS

WARNING! SHUT POWER OFF AT FUSE OR CIRCUIT BREAKER.

AVERTISSEMENT! COUPER LE COURANT AU NIVEAU DES FUSIBLES OU DU DISJONCTEUR.

PREPARATION (Fig. 1)

1. Shut off the power at the fuse box or circuit breaker box and remove the old fixture, including the mounting hardware.
2. Carefully unpack your new fixture and lay out all the parts in a clear area. Take care not to misplace any small parts necessary for installation.

ASSEMBLING THE FIXTURE (Fig. 1)

3. Loosen screw (U) to remove bottom frame (T) from fixture body. Insert clear glass panels (S) into channels (R) of top fixture body, then align to slots of bottom frame (T) and tighten with screw (U). (Fig.4)
4. Determine desired hanging height and thread rods (L & M) to all thread of metal tube (N). Then attach swivel (K) of canopy (H) by threading into rod (L). Pass wires carefully through each rod as you assemble.
5. Thread screws (D) into pre-drilled holes in circular strap (A) spaced same distance apart as holes in canopy (H). The length of screws (D) may be adjusted if necessary. Then tighten with hex nut (G).
6. Attach circular strap (A) to junction box (Not included) using mounting screws (B) (Size: #8-32N*L0.5"). The side of circular strap marked "GND" must face out.
7. The support cable is provided to support weight of fixture while wiring. Align fixture to mounting plate (A) and attach hook on end of support cable (q) into a slot located on mounting plate (A). Carefully allow support cable (Q) to support weight of fixture while wiring (Fig.1)

CONNECTING THE WIRES (Fig. 2)

8. Connect the electrical wires as shown in Fig.2, making sure that all wire connectors are secured. If your junction box has a ground wire (green or bare copper), connect the fixture's ground wire to it. Otherwise, connect fixture's ground wire directly to circular strap (A) using green screw provided.
9. Tuck wire connectors neatly into the junction box.

FINISHING THE INSTALLATION (Fig. 1)

10. Raise canopy (H) over screws (D) and secure with knurled knobs (J).
11. Attach (4) four square candle sleeves over sockets by pressing them onto socket cups.
12. Install (4) four candelabra base bulbs up to 60 watts or CFL or LED equivalent (Not included) in accordance with the fixture specification. **DO NOT EXCEED THE MAXIMUM WATTAGE RATING! (NE PAS DEPASSER LA PUISSANCE NOMINALE MAXIMALE!)**

Your installation is now complete. Return power to the junction box and test the fixture.

Note: Illustration (Fig. 1) on this manual is for installation purposes only. It may or may not be identical to the fixture purchased.

Fig. 1

Part# A-021

-Mounting Plate (1)

-Grounding Screw (1)

-Mounting Screws (2)

Rod#

-W30-1-66A *3 (L)

-W30-H-66A *3 (M)

Glass#

-G73216

Candle Sleeve #

-CCV22117S-66A

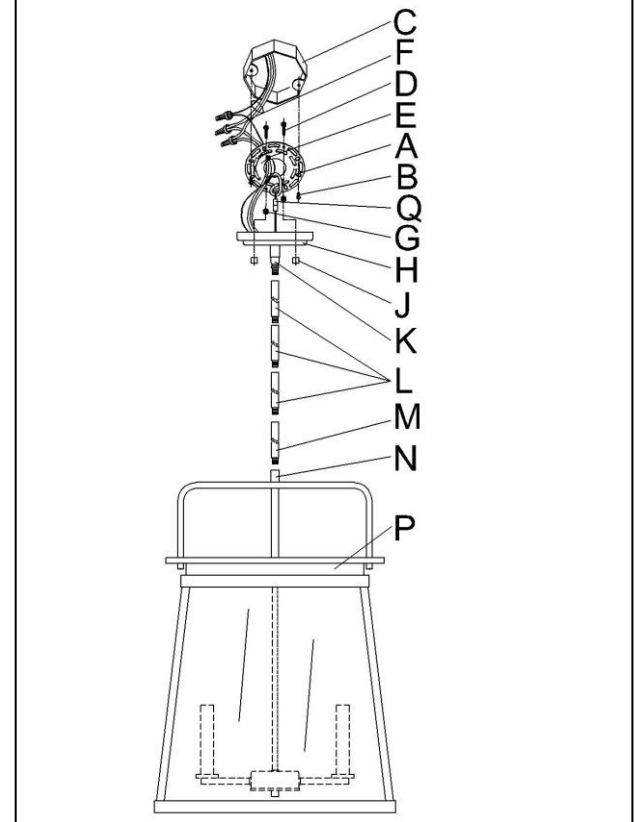


Fig.2

FIXTURE WIRES BLACK



HOUSE WIRES BLACK (HOT)

FIXTURE WIRES WHITE



HOUSE WIRES WHITE (NEUTRAL)

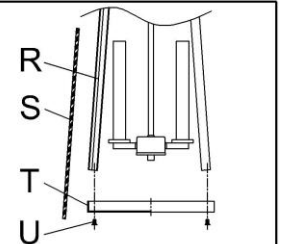
FIXTURE WIRES GREEN OR BARE COPPER (GROUND)



HOUSE WIRES GREEN OR BARE COPPER (GROUND)

Fig.4

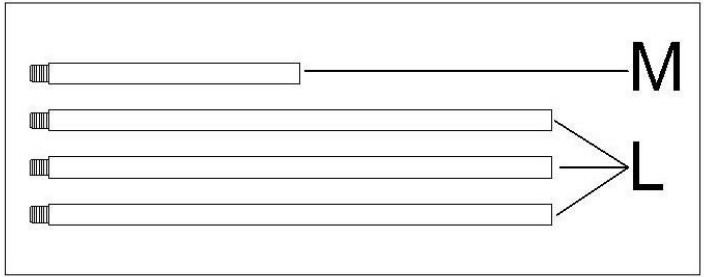
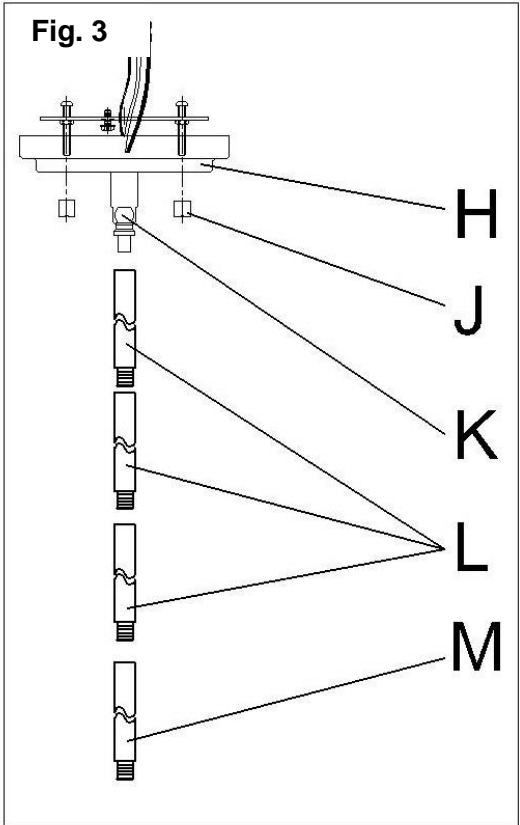
R: Channels * 4
S: Clear Glass Panels * 4
T: Bottom Frame * 1
U: Screws * 4



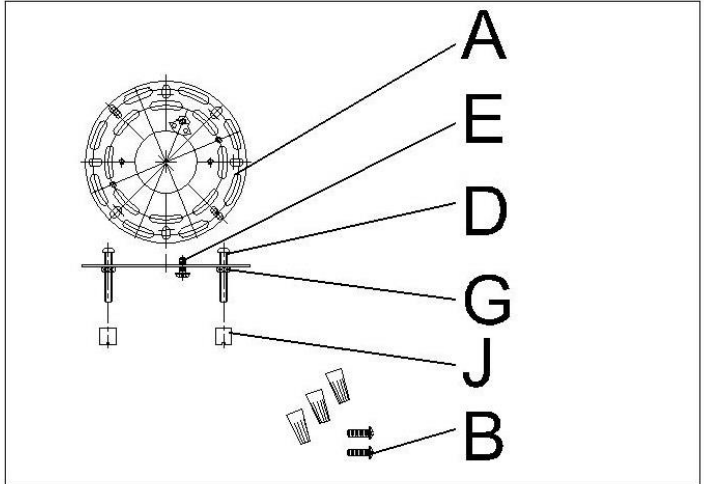
“CAUTION-RISK OF FIRE CONSULT A QUALIFIED ELECTRICIAN TO ENSURE CORRECT BRANCH CIRCUIT CONDUCTOR”

ATTENTION – RISQUE D’INCENDIE, CONSULTER UN ÉLECTRICIEN QUALIFIÉ POUR VOUS ASSURER QUE LES CONDUCTEURS DE LA DÉRIVATION SONT ADÉQUATS.





a. Hardware Bag

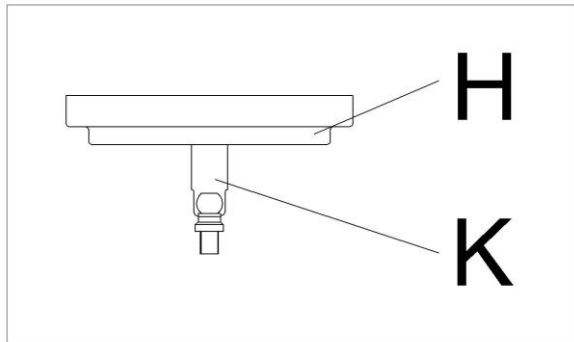


b. Hardware Bag

- a. Hardware Bag:
 M. 6" Rod * 1
 L. 12" Rod *3

- b. Hardware Bag:
 A: Circular Strap *1
 B: Mounting Screw *2
 D: Screw *2
 E: Green Screw *1
 G: Hex nut *2
 J: Knurled Knobs *2

- c. Hardware Bag:
 H: Canopy *1
 K: Swivel *1



c. Hardware Bag