

SAFETY INFORMATION

Please read and understand this entire manual before attempting to assemble, install or operate the product.

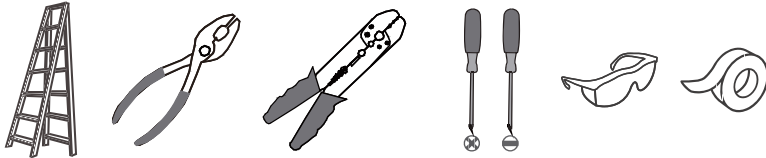
WARNING

- RISK OF ELECTRIC SHOCK - Before beginning installation, turn off electricity at the circuit breaker box or the main fuse box.
- RISK OF FIRE - Use bulbs specified by the markings and/or labels on the fixture.

CAUTION

- For your safety, read instructions completely before beginning installation.
- If in doubt about electrical installation, consult a licensed electrician.
- Turn off electricity to fixture before replacing the bulb(s).

TOOLS REQUIRED

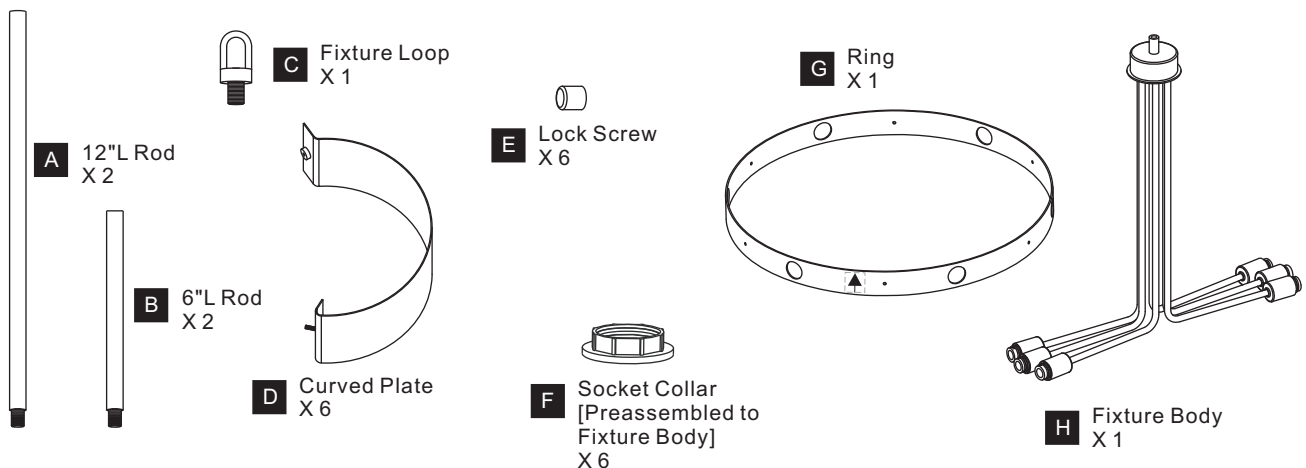


CARE AND MAINTENANCE

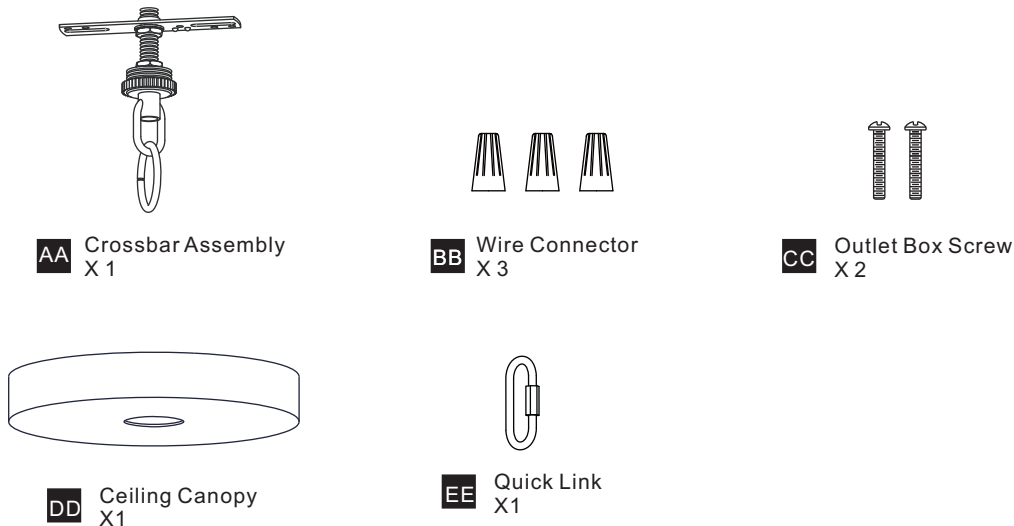
- Wipe clean using soft, dry cloth or static duster. Always avoid using harsh chemicals and abrasives to clean fixture as they may damage the finish.

If you need further assistance call Quoizel Customer Care at 1-800-645-3184(9:00am - 5:00pm EST), or visit us on-line at www.quoizel.com

PACKAGE CONTENTS



MOUNTING HARDWARE



INSTALLATION

1 Unfold Arms

2 Install Ring

3 Install Curved Plates

4 Install Rods

Optional Rods:
 8 Feet Ceiling:
 (2) 12" L Rods.
 9 Feet Ceiling:
 (2) 6" L Rods + (2) 12" L Rods.

5 Install Fixture Loop

6 Install Crossbar Assembly

7 Install Quick Link and Pull Supply Wires

* Ceiling Canopy shape is varies depends on item purchased.

8 Wiring

White wire from supply Ribbed side of wire from fixture identified with the label "N"

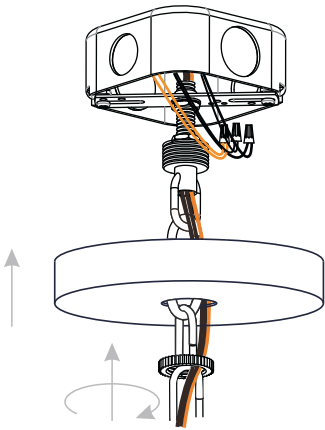
Black (or red) wire from supply Smooth side of wire from fixture identified with the label "L"

Ground wire from supply Green ground wire Ground wire from fixture identified with the label "G"

INSTALLATION

9

Install Ceiling Canopy

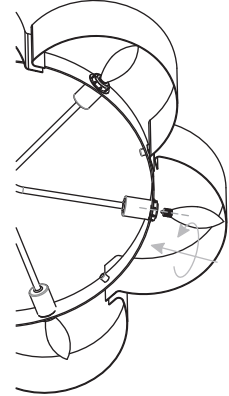
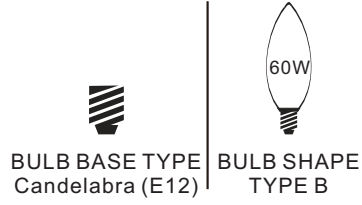


10

Install Bulbs

Install six correct bulbs referring to fixture markings and/or labels for maximum wattage.

Recommended Bulb Type (not included):



Your installation is now complete! Restore electricity and save this sheet for future reference.